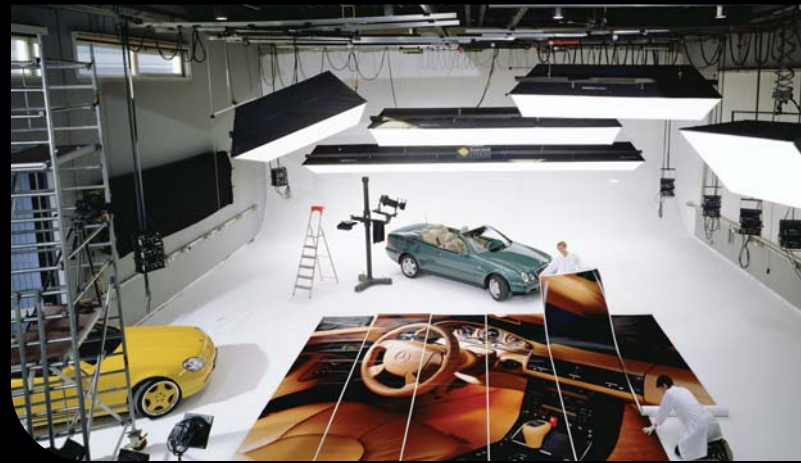


CEILING MOUNTED SYSTEMS //



LIGHTING WITH STYLE // ECONOMY AND DOUBLE-E SYSTEMS

Ceiling systems allow for easy and comfortable work without annoying tripods or cords. Ultra-strong and highly flexible, these systems can be tailored to fit your needs and every small detail provides ultimate quality.



photograph // www.hahnstudios.de

HIGHLIGHTS //

- On-site planning and installation by our experts // +
- Self-assembly possible // +
- Highest quality, made in Germany // +
- Long life-cycle, low maintenance, and max. value retention // +
- Decades of experience in planning and workmanship // +
- Nearly all parts are made of metal // +
- System compatibility for decades – assures availability of parts // +
- Carriage with metal bearings and external plastic wheel flange // +
- +// Carriages with adjustable breaks
- +// Large span gantry width
- +// Double gantries possible
- +// Tilttable gantries
- +// Optional contact rails available
- +// Ultimate ease of use in every detail
- +// Dual carriage guidance (via rail profile and carriage)
- +// Work without carriage jamming

Beyond the basic supply, this system can be expanded almost endlessly and can even be expanded after installation or can be rearranged, as needed:

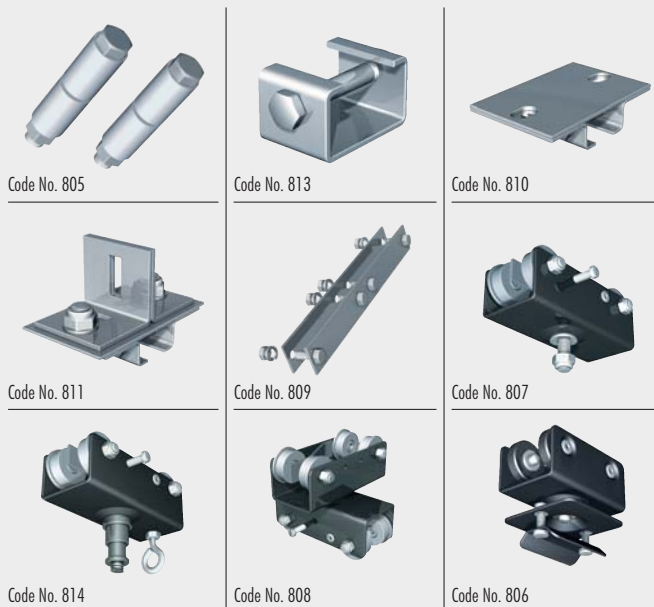
Also available as black anodized (max. 3m/rail) at an extra charge. Rotating brackets, double gantries, background supports and much more. Nearly any conceivable design is possible. Please inquire about special options when planning your system. Our staff have designed thousands of systems and our know how helps us deliver the best system for you. Good planning helps prevent additional costs and later changes!

ECONOMY-SYSTEM //



ALL GOOD THINGS COME FROM ABOVE

Ceiling rails ease studio work and make it much more economical. Economy rail profiles offer safe, smooth-running adjustment options at good load values. Width of bridge 3 m, up to 4.5 m width with light loads. 6 m are possible with three rails. Expandable with additional shears and bridges.



- Code No. 816** // Sliding rail/gantry 1.5 m
- Code No. 815** // Sliding rail/gantry 3 m
- Code No. 818** // Sliding rail/gantry 4.5 m
- Code No. 797** // Sliding rail/gantry 6 m
(consists of 2 x 3 m with rail connector)

Pre-cut upon request and at no extra charge.

- Code No. 805** // End stop for sliding rail/gantry
- Code No. 8050** // End stop with branching box for electrical installation
(similar to Code No. 770, Double-E, no illustration)
- Code No. 813** // Intermediate stop
- Code No. 810** // Standard ceiling bracket for rails on flat ceilings
- Code No. 811** // Universal ceiling bracket for suspensions etc.
- Code No. 812** // 90° assembly angle for wall to wall installation
(upper part of ceiling bracket)
- Code No. 809** // Rail connector for sliding rails
- Code No. 807** // Carriage with brake (e.g. for pantographs, rotating bracket etc.)
- Code No. 762** // L-angle with branching box for electrical installation for
attachment to carriages (no illustration).
- Code No. 814** // Carriage with brake and spigot (3/8") for extension
tubes, equipment assembly etc.
- Code No. 808** // Double carriage, rotating, with brake for gantries
- Code No. 806** // Cable carriage with rotating cable fixture
- Code No. 817** // Mains cable, 10 m (no illustration)

ECONOMY KITS //

Code No. 801 // Economy Kit small (3 x 3 m)

- 2 pcs. Code No. 815 // Sliding rails 3 m
- 2 pcs. Code No. 815 // Gantries 3 m
- 2 pcs. Code No. 489 // Pantographs 2.2 m up to 14 kg
(max.), with 2 springs à 5 kg*
- 2 pcs. Code No. 807 // Carriage with brake for pantogr.
- 4 pcs. Code No. 808 // Double carriage with brake,
rotating for gantries
- 6 pcs. Code No. 810 // Ceiling brackets, standard
- 8 pcs. Code No. 805 // End stop for rails and gantries
- 6 pcs. Code No. 806 // Cable carriage w. rot. cable fixture
- 2 pcs. Code No. 817 // Mains cable, 10 m

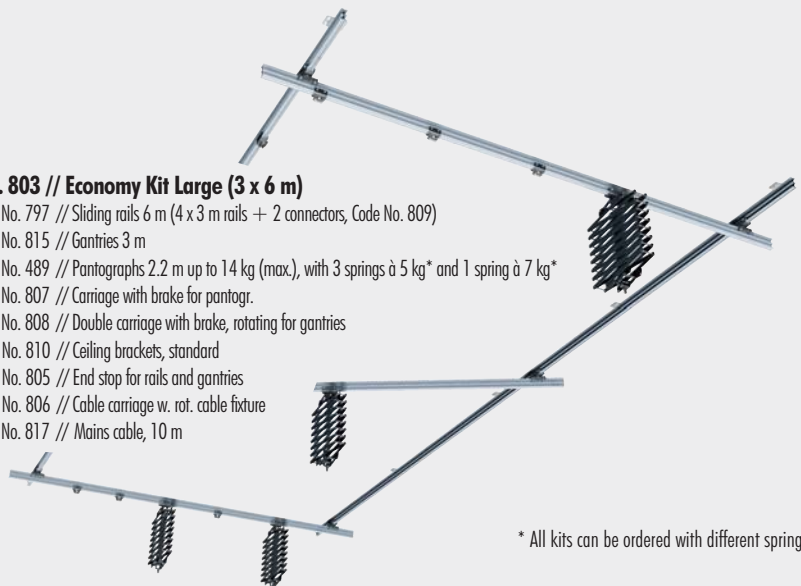
Code No. 802 // Economy Kit Standard (3 x 4.5 m)

- 2 pcs. Code No. 818 // Sliding rails 4.5 m
- 2 pcs. Code No. 815 // Gantries 3 m
- 3 pcs. Code No. 489 // Pantographs 2.2 m up to 14 kg
(max.), with 3 springs à 5 kg*
- 3 pcs. Code No. 807 // Carriage with brake for pantogr.
- 4 pcs. Code No. 808 // Double carriage with brake,
rotating for gantries
- 8 pcs. Code No. 810 // Ceiling brackets, standard
- 8 pcs. Code No. 805 // End stop for rails and gantries
- 9 pcs. Code No. 806 // Cable carriage w. rot. cable fixture
- 3 pcs. Code No. 817 // Mains cable, 10 m

Economical basic combination kits, expandable, even after installation with gantries or pantographs. Can be self-assembled.

Code No. 803 // Economy Kit Large (3 x 6 m)

- 2 pcs. Code No. 797 // Sliding rails 6 m (4 x 3 m rails + 2 connectors, Code No. 809)
- 3 pcs. Code No. 815 // Gantries 3 m
- 4 pcs. Code No. 489 // Pantographs 2.2 m up to 14 kg (max.), with 3 springs à 5 kg* and 1 spring à 7 kg*
- 4 pcs. Code No. 807 // Carriage with brake for pantogr.
- 6 pcs. Code No. 808 // Double carriage with brake, rotating for gantries
- 10 pcs. Code No. 810 // Ceiling brackets, standard
- 10 pcs. Code No. 805 // End stop for rails and gantries
- 12 pcs. Code No. 806 // Cable carriage w. rot. cable fixture
- 4 pcs. Code No. 817 // Mains cable, 10 m



* All kits can be ordered with different springs.

DOUBLE-E SYSTEM //

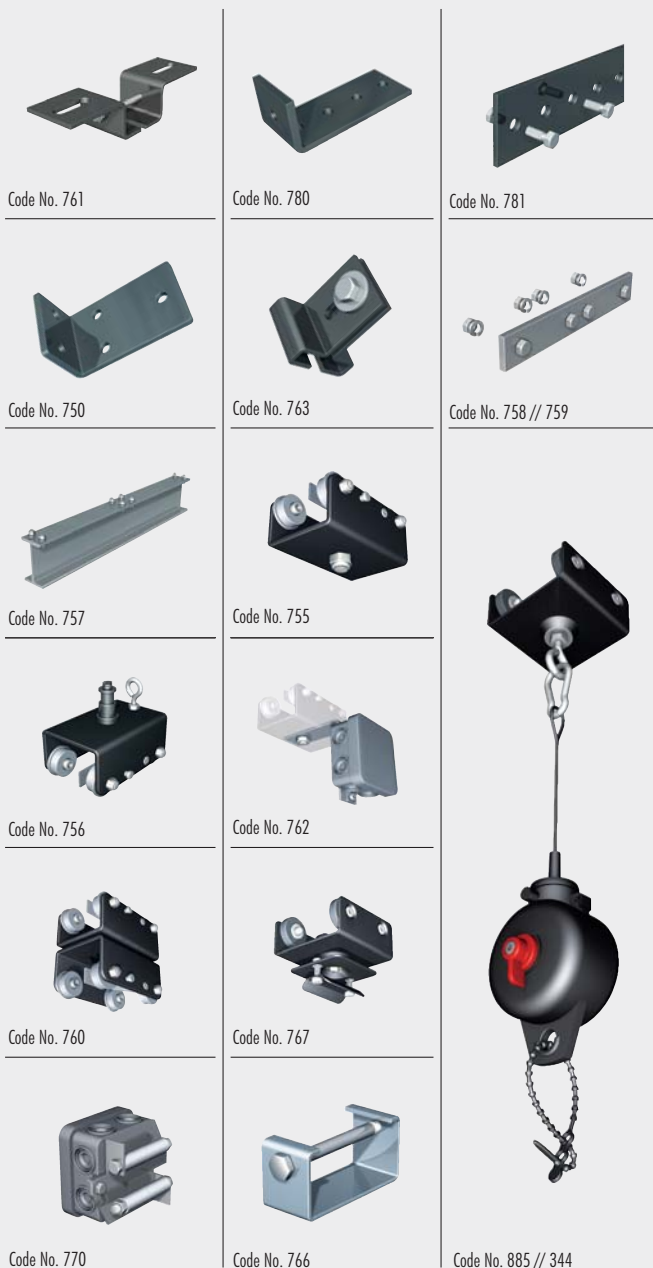
- Enormous load capacity // +
- Even generators can be suspended // +
- Ideal in connection with contact rails and light banks // +
- Prerequisite for large auto-/megalights and motorized rotating brackets // +
- Gantry width of up to 6 m already possible with two sliding rails // +
- Ideal when you want to achieve large span width // +
- Highly concentrated single load capacity // +
- Each component is extremely durable // +
- For decades, this has been the 'workhorse' in large studios! // +

- Code No. 754** // Sliding rails/gantry 2 m
- Code No. 753** // Sliding rails/gantry 3 m
- Code No. 752** // Sliding rails/gantry 4 m
- Code No. 751** // Sliding rails/gantry 6 m

Pre-cut upon request and at no extra charge.



// IDEAL FOR ANY SITUATION - IDEAL FOR LARGE STUDIOS - INNOVATIVE AND INDIVIDUAL



- Code No. 765** // End stop for sliding rails/gantry, pre assembled (drilled holes in rails)
- Code No. 770** // Rail endstop with branching box for electrical installation
- Code No. 766** // Intermediate stop
- Code No. 761** // Standard ceiling bracket for sliding rails, for flat ceilings
- Code No. 780** // Suspension angle for ceiling rails, in combination with Code No. 763 (60 x 120 mm)
- Code No. 781** // Perforated plate for ceiling suspension, 1 m, cut to size
- Code No. 750** // Ceiling rail bracket for wall attachment
- Code No. 763** // Universal ceiling rail bracket for suspension
- Code No. 758** // Rail connector for sliding rails, unassembled
- Code No. 759** // Rail connector for sliding rails, pre-assembled (drilled holes in rails)
- Code No. 757** // Special rail connector for gantries, pre-assembled, including gantry reinforcement
- Code No. 755** // Carriage with brake (e.g. for pantograph, rotating bracket etc.)
- Code No. 756** // Carriage with brake and attachment spigot 3/8" (for extension tubes, installation of units etc.)
- Code No. 762** // L-angle with branching box for electrical installation, for attachment to carriages
- Code No. 760** // Double carriage, rotating, with brake, for gantries
- Code No. 767** // Cable carriage with rotating cable fixture
- Code No. 885** // Lift reel with carabiner hook
- Code No. 344** // Flash cable suspension with lift reel
- Code No. 817** // Mains cable, 10 m (no illustration)
- Code No. 758** // Rail Connector for sliding rails
- Code No. 759** // Rail Connector for sliding rails, (incl. pre-drilled holes in rails)

ACCESSORIES FOR ECONOMY & DOUBLE-E SYSTEM //



Code No. 489

Code No. 487

Code No. 489 // Manual double pantograph

Max. load up to 14 kg. Length: min. 0.33 m, max. 2.2 m.
 Incl. stepless adjustment dead weight (Code no. 949) (up to max. 2 kg additionally).
 Incl. attachment spigot 3/8". Incl. one spring**
 Delivery without carriage (Code no. 755 or 807)!

**Please list the required spring strength when ordering!
 Weight of item + weight of accessories + 2.2 kg for pantograph = spring strength.
 A maximum of 2 springs can be attached per pantograph. Unless otherwise specified, delivery includes a 5 kg spring.

Available springs for pantograph, code no. 489:

- Code No. 651** // Spring with 3 kg spring strength
- Code No. 653** // Spring with 5 kg spring strength
- Code No. 655** // Spring with 7 kg spring strength
- Code No. 656** // Spring with 9 kg spring strength
- Code No. 949** // Lift reel with shackle, spare (adjustable counterbalance weight)

Code No. 487 // Motorized STH Pantograph

Max. load up to 30 kg. Length: min. 0.33 m, max. 3 m.
 Incl. motor control box with cable connector. (Please specify desired length)
 29.5 mm mounting shell, incl. mounting spigot 3/8".
Different lengths are available upon request and at an additional charge.
 Delivery without carriage (Code No. 755 or 807 is required additionally)!



Code No. 651/653/655/656

Code No. 783

Code No. 784

Code No. 789

Code No. 787

Code No. 213

Code No. 785

Code No. 493 // 494

Code No. 949

Code No. 788

Code No. 488

Code No. 7690

Code No. 488 // Safety catch for pantographs. Additional security in event of pantograph breakage.

Code No. 789 // 29.5 mm spigot with threaded spigot M 3/8"

Code No. 783 // 29.5 mm spigot with plate

Code No. 784 // 29.5 mm spigot with thread 3/8" and wing nut

Code No. 785 // 16.2 mm mounting shell, rotating, with 3/8" thread and lock nut

Code No. 787 // Mounting shell 16.2 mm, with plate for light banks etc.

Code No. 788 // Counterbalance weight for pantographs.
 Needed when installing units without counterbalance weight,
 in combination with heavy attachments!
 Pantographs may become damaged if not hung perpendicular.

Code No. 213 // L-bracket for units without convertible tilt

Code No. 7690 // Arrester Cable HD

Suspended loads must be double secured. For safety reasons, please always use an arrester cable.

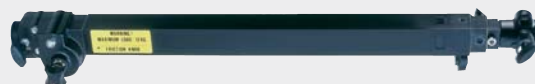
Code No. 493 // Extension rod 0.5 m

Code No. 494 // Extension rod 1 m. Special lengths available!

Code No. 8003248 // Telescoping extension, 85 to 203 cm

Code No. 8003249 // Telescoping extension, 60 to 128 cm

For ceiling systems and ceiling mounting. Telescope system with integrated counter weight. Infinitely extendable, self-fixing by flexible adjustable load. Both sides can take a 3/8" or 1/4" thread (Ø 16 mm).
 Additional Safety: Push-button lock on thread insertion. Additionally required: a suitable sliding carriage with thread/plate or similar. Maximum load: 12 kg



ACCESSORIES FOR ECONOMY & DOUBLE-E SYSTEM //



Code No. 7940

Code No. 2380 // Motorized rotating bracket with 3 motors, without drive for rotation

Can be manually turned around the vertical axis. The three motors can be separately adjusted via remote control cable. This allows for raising and lowering and to adjust the tilted position. Standard size model can be used for autolights up to 4 m or megalights up to 2.6m length. Customized models possible. Delivery does not include carriages. Requires 4 carriages!

Code No. 7940 // Motorized rotating bracket with 3 motors, with drive for rotation

Like item no. 2380 but with a motorized rotation. (without image)

Code No. 238 // 4 motor rotating bracket for Autolight

Each motor can be controlled independently.
Double gantry and 4 additional carriages are required. (without image)

Code No. 794 // 4 motor rotating bracket for Megalight

Double gantry and 4 additional carriages are required. Rotating brackets for longer Megalights on request. Additional support rails are required for lengths of more than 4 m (Autolight) or 3.9 m (Megalight). Check price list. (without image)

Code No. 886 // 4 point lift reel suspension with rotating bracket for Autolight and Table Top Autolight

up to max. 1.3 x 2 m. 360° rotation, with individually adjustable reels.
Requires four carriages and a double rail (or two winch stands).

Code No. 239 // Motorized background suspension for gantry, complete with control cabinet

Mounts for the background can be adjusted so that paper widths of up to 3.6 m (max.) can be used. All manual and motorized Hensel axles can be used optionally. Backlighting can be placed easily, even directly from behind.



Code No. 886



Code No. 239

Contact Rails & Accessories

Contact rails supply power to the units integrated in the ceiling mounted rail system, and are always attached parallel to a sliding rail. Especially with large systems, a contact rail is preferable to a conventional solution with cables and cable carriages. Contact rails can easily be retrofitted at any time.

Code No. 773 // Contact rail, 5-pole, 3 phases à 35 A (max.) (observe VDE)

Code No. 777 // Current collector, 5-pole, sliding adapter also required

Code No. 774 // Power connecting box, for 5-pole contact rails

Code No. 778 // Contact rail fastener for Double-E

Code No. 804 // Contact rail fastener for Economy

Code No. 779 // Sliding adapter for current collector, Double-E

Code No. 819 // Sliding adapter for current collector, Economy

Code No. 766 // Intermediate Stops Double-E 2 pcs. required for each gantry

Code No. 813 // Intermediate Stops Economy 2 pcs. required for each gantry

Code No. 744 // Contact rail end cap, for 5-pole contact rails

Code No. 228 // Generator bracket, rotating, for two generators

Rod length: 2 m (special lengths available) including longer carriage for Double-E. Special designs for only one generator are also possible.

Code No. 229 // Generator Holder for Nova Generators

Generator holder for 2 Nova D/DL 1200/2400, turnable and with pole and carriage for Double-E ceiling rail systems (without picture, similar to code no. 228)



Code No. 773



Code No. 777



Code No. 804



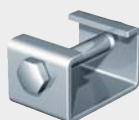
Code No. 779



Code No. 819



Code No. 774



Code No. 813



Code No. 228