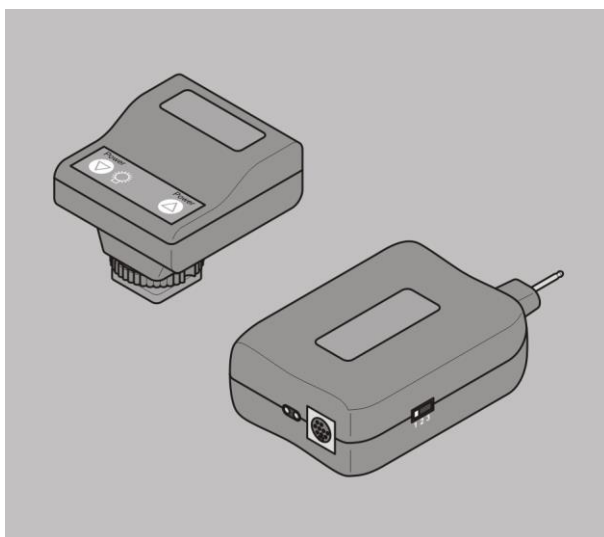


# Radio System Strobe Wizard Plus Freemask



## User manual

Translation of the original German user manual

Doc. No.: 900.0509.00

Version: 09/2017



## Contents

<b>Information about this manual and about the manufacturer .....</b>	<b>5</b>
Keeping this manual on hand .....	5
Design features in the text .....	5
Design features in the figures.....	6
Copyright .....	7
Manufacturer's address .....	7
<b>Safety.....</b>	<b>8</b>
Intended use.....	8
Fundamental safety information.....	8
Prevention of equipment damage and malfunctions.....	9
Design features of equipment or property damage information.....	10
<b>Description.....</b>	<b>11</b>
Overview of scope of delivery .....	11
Overview of the front side of the transmitter.....	13
Overview of the side of the transmitter.....	14
Overview of receiver .....	15
Overview of rear side of receiver .....	16
Task and function .....	17
Type plate .....	19
Technical data .....	20
<b>Unpacking the radio system and inspecting the scope of delivery .....</b>	<b>22</b>
<b>Commissioning the radio system .....</b>	<b>23</b>
Commissioning the "Strobe Wizard Plus" radio system.....	23
Commissioning the "Freemask" radio system.....	23
<b>Assembling and dismantling the radio system components.....</b>	<b>24</b>
Assembling and removing the transmitter on and from the camera....	24
Connecting and removing the transmitter to and from the camera via the sync cord .....	26
Assembling and removing external receivers on and from the device .	27

---

<b>Operating the radio system</b> .....	<b>28</b>
Operating the “Strobe Wizard Plus” radio system .....	28
Operating the “Freemask” radio system .....	33
<b>Remedying faults</b> .....	<b>39</b>
<b>Transporting and storing the radio system</b> .....	<b>40</b>
<b>Servicing the radio system</b> .....	<b>41</b>
Cleaning the radio system .....	41
Exchanging the batteries .....	41
<b>Disposing of the radio system</b> .....	<b>44</b>
In Germany .....	44
Outside of Germany.....	44
<b>EU Declaration of Conformity</b> .....	<b>45</b>
<b>Accessories</b> .....	<b>46</b>
Transmitter .....	46
Receiver .....	46
Additional accessories .....	46
<b>Warranty provisions</b> .....	<b>47</b>
In Germany .....	47
Outside of Germany.....	47
<b>Limitation of liability</b> .....	<b>48</b>
<b>Returning a product to Customer Service</b> .....	<b>49</b>

## Information about this manual and about the manufacturer

These instructions will help you to safely use the “Strobe Wizard Plus” and “Freemask” radio systems. Both “Strobe Wizard Plus” and “Freemask” radio systems will be called “radio system” for short in the following insofar as various functions of the radio systems must not be differentiated.

The radio system consists of a transmitter and at least one receiver. The transmitter will be called the “transmitter” in these instructions and the receiver will be called the “receiver.” The flash unit will be called the “device.”

### Keeping this manual on hand

This manual is an integral part of the radio system.

- Always retain this manual together with the radio system.
- Always provide this manual when selling the radio system or passing it on in another manner.

### Design features in the text

Various elements of this manual are provided with specific design features. This allows you to easily differentiate between the following elements:

Normal text

- Action
- Bullet points

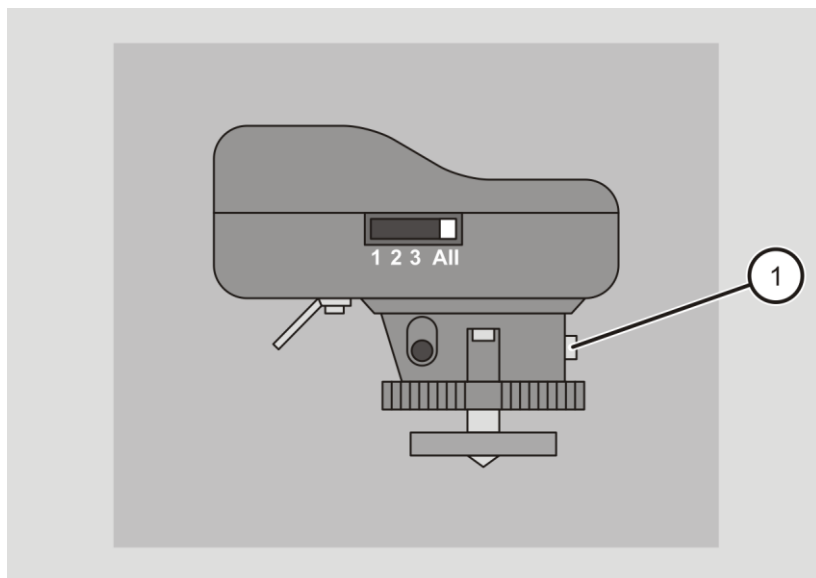
CONTROLS

Cross-references (see page)

- ⓘ Tips contain additional information e.g. special information about the radio system.

## Design features in the figures

If elements are referred to in a key or in the body text, then they are provided with a number (1).



## Copyright

This manual contains information that is subject to copyright. Without the prior written permission of Hensel-Visit GmbH & Co. KG, this manual shall not be copied, printed, filmed, processed, reproduced or distributed in any form, in full or in excerpts.

©Hensel-Visit GmbH & Co. KG  
All rights reserved.

## Manufacturer's address

Hensel-Visit GmbH & Co. KG  
Robert-Bunsen-Str. 3  
97076 Würzburg  
Phone: +49-931-27881-0  
Fax: +49-931-27881-50  
E-mail: [info@hensel.de](mailto:info@hensel.de)  
URL: [www.hensel.de](http://www.hensel.de)

## Safety

The radio system has been built according to state-of-the-art technology and recognized safety-related regulations. Residual risks could however remain when working work and on the radio system, which could present a danger to life and limb. For this reason, the following safety information is to be observed and followed.

### Intended use

The radio system is used to trigger and control the device indoors and outdoors. In case of an unobstructed view, the working distance is a maximum of 40 m. The radio system must be used only with the accessories described in this manual and approved by the manufacturer.

Intended use also includes reading and understanding this manual, as well as observing and following all information in this manual, especially the safety information. In addition, the safety information and all other information in the manuals of the cameras and devices used must also be observed. Any other use is expressly considered as unintended use and will invalidate the guarantee, warranty and liability claims.

## Fundamental safety information

### Prevention of serious injuries or death from explosions

The radio system and device are not explosion-protected. When the flash tube is triggered, sparks might arise which could lead to an explosion. Serious injury or death can result.

- Do not use the radio system with the device in explosive atmospheres.

### Prevention of serious injuries or death from electric shock

Improper work on the radio system can lead to an electric shock.

- Never use a wet radio system.
- Do not open the housing.
- Have the damaged radio system replaced immediately by the authorized Customer Service only.

### **Prevention of serious skin and eye injuries**

Triggering a flash in the direct vicinity of the eyes can result in skin and eye injuries.

- Observe the required minimum distance for the type of light shaping tool and flash intensity.
- Do not look into the light shaping tool in case the flash is triggered accidentally.
- In case of skin or eye injuries, consult a doctor immediately.

### **Prevention of equipment damage and malfunctions**

#### **Prevention of equipment damage due to fogging**

Fogging can occur due to a sudden temperature change e.g. in a new environment.

- Always let the radio system acclimatize before use in a new environment.

#### **Prevention of equipment damage due to rain, vapors, frost, heat, humidity and dust**

Rain, vapors, frost, heat, humidity and dust can damage the radio system.

- Protect the radio system against dripping and spraying water (e.g. rain) or vapors.
- Protect the radio system against frost, heat and high humidity.
- Do not place containers of liquids on the radio system.
- Make sure that neither the radio system nor its components are standing or lying on wet ground.
- Do not store the radio system in locations exposed to heat or moisture.
- Cover the radio system with suitable dust protection when it is not in operation.

#### **Prevention of equipment damage when using external products**

The use of the radio system in combination with external products can lead to equipment damage.

- Use the radio system exclusively with accessories and original spare parts recommended by the manufacturer.

**Malfunctions due to electromagnetic radio signals**

The radio system transmits or receives electromagnetic radiation in a frequency range of 433.92 MHz. The energy, working distance and reliability can be impaired by other radio systems. Alternatively, the radio system can cause interference in other radio systems, such as radio telephones (cell phones, cordless telephones), Wi-Fi routers, radio and TV stations or medical devices.

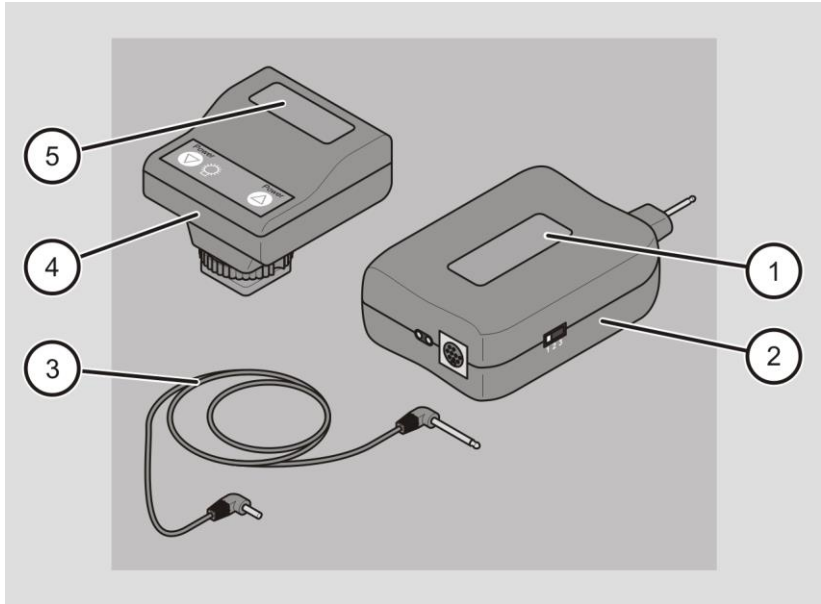
- Before using the radio system in sensitive environments, such e.g. in hospitals, make sure that use is permitted there.

**Design features of equipment or property damage information**

<b><i>IMPORTANT!</i></b>	
	This information warns against a situation that can lead to equipment or property damage.

## Description

### Overview of scope of delivery

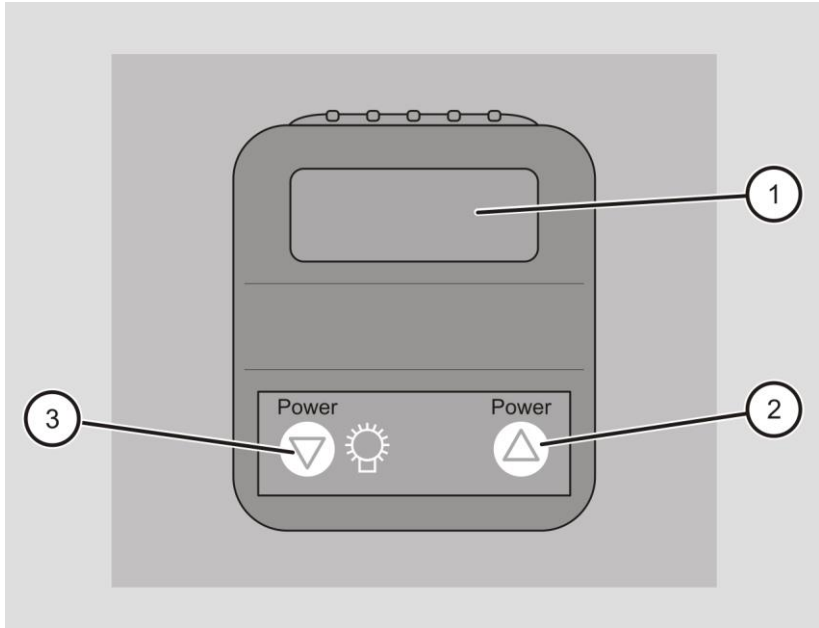


No.	Designation
1	Name of the corresponding "Strobe Wizard Plus" or "Freemask" receiver
2	Receiver
3	Sync cord
4	Transmitter
5	Name of the corresponding "Strobe Wizard Plus" or "Freemask" transmitter

The scope of delivery can vary depending on the application. Detailed information on the scope of delivery can be found in the following table.

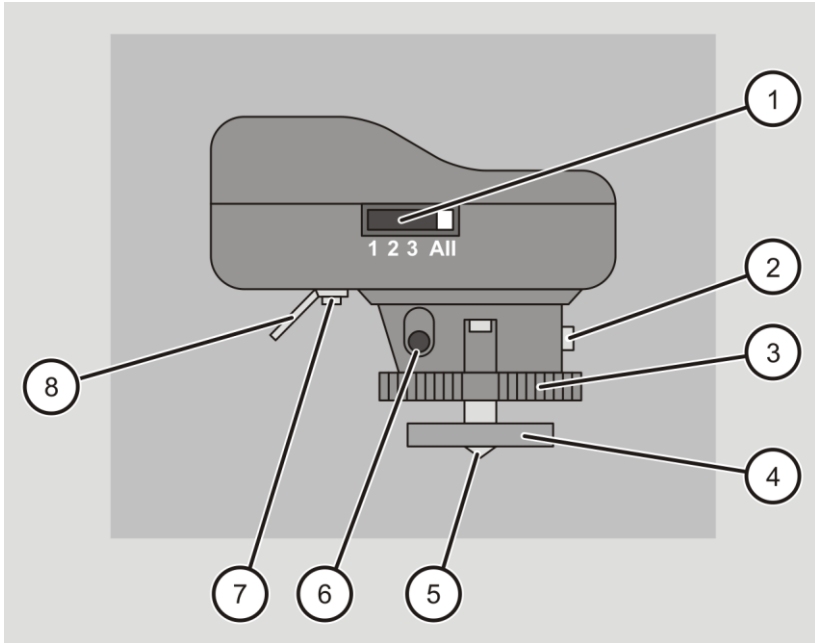
Designation	Article number
"Strobe Wizard Plus" transmitter, including the sync cord 95811721	3950
"Strobe Wizard Plus" receiver	3951
Strobe Wizard Plus set: "Strobe Wizard Plus" transmitter, including the sync cord 95811721 "Strobe Wizard Plus" receiver	3952
"Freemask" transmitter, including the sync cord 95811721	3955
"Freemask" receiver	3956
"Freemask 1 + 2" radio set: "Freemask" transmitter, including the sync cord 95811721 Two "Freemask" receivers	3957

### Overview of the front side of the transmitter



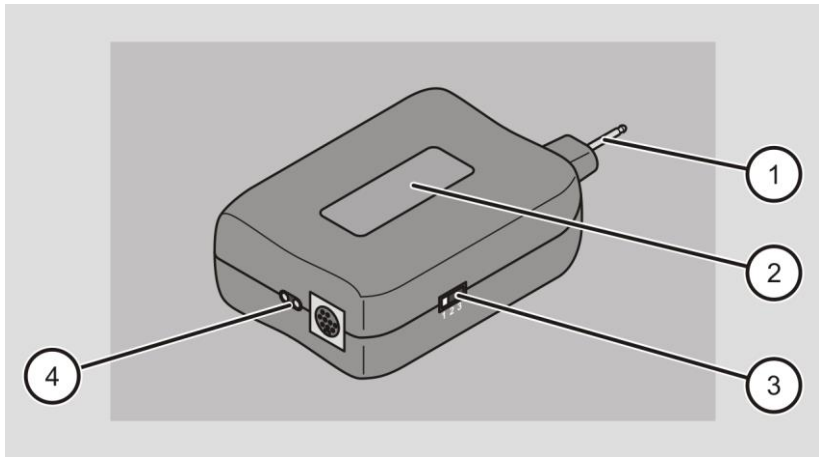
No.	Designation
1	Name of the corresponding "Strobe Wizard Plus" or "Freemask" transmitter
2	Increase flash energy
3	Decrease flash energy, switch model light "Full", "Off" and "Prop"

## Overview of the side of the transmitter



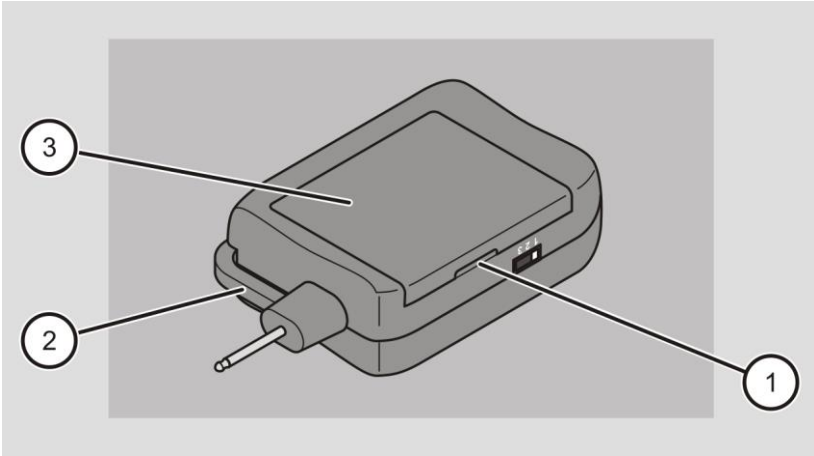
No.	Designation
1	Switch, set channel (1, 2, 3 and all)
2	Button for triggering the test flash
3	Knurled nut
4	Connection base
5	Contact pin
6	Jack
7	Screw for opening the battery compartment
8	Eye

**Overview of receiver**



No.	Designation
1	Jack plug
2	Name of the corresponding "Strobe Wizard Plus" or "Freemask" receiver
3	Switch, set channel (1, 2 and 3)
4	2 LEDs, green: ready for operation, red: Exchange batteries

### Overview of rear side of receiver



No.	Designation
1	Slot for opening the battery compartment
2	Eye
3	Cover of the battery compartment

## Task and function

### **“Strobe Wizard Plus” radio system**

The “Strobe Wizard Plus” radio system is used to trigger and control the device with and without an installed receiver indoors and outdoors.

Using the flash shoe or, alternatively the sync cord, the “Strobe Wizard Plus” transmitter is connected to the camera.

The “Strobe Wizard Plus” transmitter is not equipped with an on-off switch. It is ready for operation when it is connected to the camera via the flash shoe or sync cord.

For the device with a built-in receiver, the “Strobe Wizard Plus” transmitter is also used to adjust the flash energy and activate and deactivate the model light in addition to the flash release.

For the device without a built-in receiver, the “Strobe Wizard Plus” transmitter is used solely for flash release. Using the jack, the external receiver is connected to the corresponding device. Through the sync voltage of the device to which it is connected, the “Strobe Wizard Plus” receiver detects whether the device is ready for operation. It therefore always switches on and/or off automatically.

The “Strobe Wizard Plus” transmitter and receiver can be synchronized via three different channels. In this way, up to three workstations can be actuated separately. In addition, the “Strobe Wizard Plus” transmitter can also actuate all “Strobe Wizard Plus” receivers simultaneously (ALL channel).

### **“Freemask” radio system**

“Freemask” is a photographic method for the automatic creation of digital cut-out masks. Two shots are hereby taken by the camera in brief succession. Exposure values and the camera position remain unchanged for both shots. For both shots, the “Freemask” transmitter controls two flash groups: one group for subject lighting and one for background lighting.

For devices with a built-in receiver, the devices for subject lighting are allocated to the “C” channels, while the devices for background lighting are allocated to the “F” channels.

For devices without a built-in receiver, at least one “Strobe Wizard Plus” receiver must be used for subject lighting and one “Freemask” receiver for background lighting.

The camera is switched to the mode for the shot for serial images and set in such a way that two images can be taken per series. If the trigger on the camera is actuated, then the "Freemask" transmitter initially controls the devices with the "C" channels for subject lighting and then the devices with the "F" channels for background lighting.


Using the flash shoe or, alternatively the sync cord, the "Freemask" transmitter is connected to the camera.

The "Freemask" transmitter is not equipped with an on-off switch. It is ready for operation when it is connected to the camera via the flash shoe or sync cord.

For the device with a built-in receiver, the "Freemask" transmitter is also used to adjust the flash energy and activate and deactivate the model light in addition to the flash release for subject and background lighting.

For devices without a built-in receiver, the "Freemask" transmitter is used solely for flash release. Using the jack, the external receiver is connected to the corresponding device. Utilizing the sync voltage of the device to which it is connected, the receiver detects whether the device is ready for operation. It therefore always switches on and/or off automatically.

The transmitter and receiver can be synchronized via three different channels. In this way, up to three workstations can be actuated separately. In addition, the "Freemask" transmitter can also actuate all "Freemask" and "Strobe Wizard Plus" receivers simultaneously (ALL channel).

 Additional information and useful tips for the "Freemask" application can be found on our Internet page under: [hensel.eu/freemask](https://hensel.eu/freemask)

## **Type plate**

The type plate is attached to the bottom of the housing. You will find the following information on the type plate:

- Manufacturer name
- Name of the model
- Code number
- CE marking
- Country of manufacturing

## Technical data

Radio system	Strobe Wizard Plus	
	Transmitter	Receiver
Article number	3950	3951
Sync connection	2.5 mm jack, mono	
Sync voltage	3 V	≤ 56 V
Sync current	< 1mA for 5μs	
Activation and deactivation		By applying the sync voltage
Channels	1, 2, 3, all, adjustable	1, 2, 3, adjustable
Jack plug		6.3 mm, positive pole at front
Very short exposure time	1/250 s	
Weight without battery		84 g
Complete weight	53 g	157 g
Dimensions (L × W × H in cm)	5.5 × 6.3 × 4.8	6.5 × 3.7 × 14.1
Battery type	1 × 28 L / 6 V	3 × AA
Battery service life	1-2 years	Approx. 6 months
Working distance	> 40 m in case of an unobstructed view	
Frequency	433.92 MHz	

Radio system	Freemask	
	Transmitter	Receiver
Article number	3955	3956
Sync connection	2.5 mm jack, mono	
Sync voltage	3 V	≤ 56 V
Sync current	< 1mA for 5μs	
Activation and deactivation		By applying the sync voltage
Channels	1, 2, 3, all, adjustable	1, 2, 3, adjustable
Jack plug		6.3 mm, positive pole at front
Very short exposure time	1/250 s	
Weight without battery		84 g
Complete weight	53 g	157 g
Dimensions (L × W × H in cm)	5.5 × 6.3 × 4.8	6.5 × 3.7 × 14.1
Battery type	1 × 28 L / 6 V	3 × AA
Battery service life	1-2 years	Approx. 6 months
Working distance	> 40 m in case of an unobstructed view	
Frequency	433.92 MHz	

## **Unpacking the radio system and inspecting the scope of delivery**

- Remove the radio system from the packaging.
- Keep the original packaging in case you need to return the product to Customer Service.
- Inspect the scope of delivery for correctness and completeness (see page 11et sec.).
- Ensure that all parts are undamaged.
- In case of deviations, contact the manufacturer and/or dealer immediately.

## Commissioning the radio system

### Commissioning the “Strobe Wizard Plus” radio system

To commission the “Strobe Wizard Plus” radio system, proceed as follows:

- Assemble the radio system components (see page 24 et sec.).
- Synchronize the transmitter and receiver (see page 28 et sec.).
- Ensure that the transmitter and receiver are set to the same channel.
- Trigger a test flash (see page 29).

### Commissioning the “Freemask” radio system

To commission the “Freemask” radio system, proceed as follows:

- Assemble the radio system components (see page 24 et sec.).
- Adjust the camera (see page. 33).
- Synchronize the transmitter and receiver (see page 33 et sec.).
- Ensure that the transmitter and receiver are set to the same channel.
- Trigger a test flash (see page 35).

## Assembling and dismantling the radio system components

### **IMPORTANT!**

	The device can be damaged if external products are used. ➤ Use only original spare parts and accessories from the manufacturer.
--	--

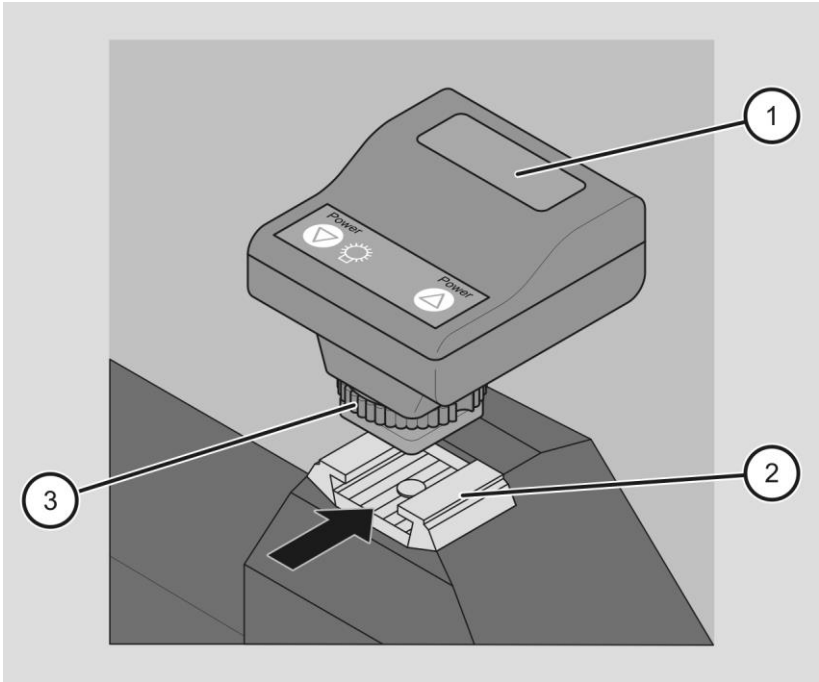
### **Assembling and removing the transmitter on and from the camera**

The transmitter can be connected to the camera as follows:

- Using the flash shoe of the camera
- Using the sync cord

To connect the transmitter to the camera via the flash shoe, proceed as follows:

- To loosen the knurled nut (3) turn it counterclockwise to the limit stop.
- Push the transmitter (1) with the connection base into the flash shoe of the camera (2) in the direction of the arrow to the limit stop.
- To attach the transmitter (1) to the camera, turn the knurled nut (3) clockwise to the limit stop.



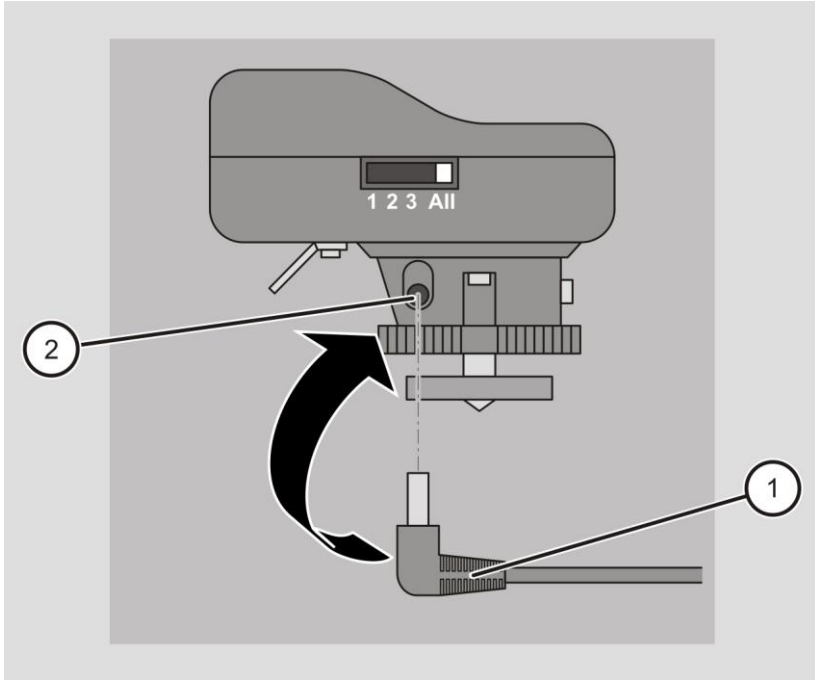
To remove the transmitter from the camera, proceed as follows:

- Press the knurled nut (3) counterclockwise to the limit stop.
- Remove the transmitter (1) with the connection base from the flash shoe of the camera (2).

## Connecting and removing the transmitter to and from the camera via the sync cord

To connect the transmitter to the camera via the sync cord, proceed as follows:

- Plug the jack plug (1) into the jack (2).
- Plug the other end of the sync cord into the jack of the camera.



- ⓘ The transmitter can be attached to the camera with the eye. Alternatively, it can also be attached to a flash rail.

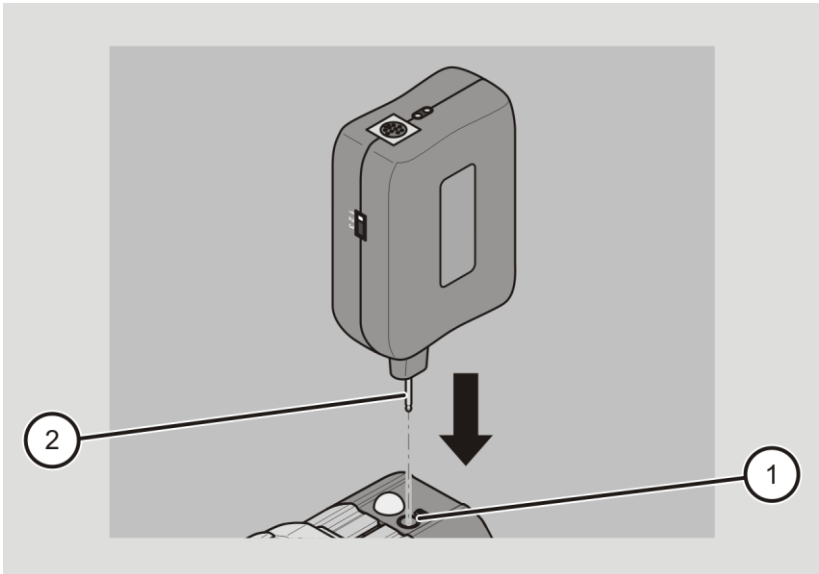
To remove the transmitter from the camera via the sync cord, proceed as follows:

- Remove the jack plug (1) from the jack (2).
- Remove the other end of the sync cord from the jack of the camera.

## Assembling and removing external receivers on and from the device

For a device without a built-in receiver, an external receiver can be attached to the device. To attach the external receiver to the device, proceed as follows:

- Plug the jack plug (2) into the jack of the corresponding device (1).
- In case of several devices, proceed analogously.



To remove the external receiver from the device, proceed as follows:

- Remove the jack plug (2) from the jack of the corresponding device (1).
- In case of several devices, proceed analogously.

## Operating the radio system

### Operating the “Strobe Wizard Plus” radio system

- ❗ The transmitter is not equipped with an on-off switch. It is ready for operation when it is connected to the camera via the flash shoe or sync cord. Utilizing the sync voltage of the device to which it is connected, the receiver detects whether the device is ready for operation. It therefore always switches on and/or off automatically.

#### Synchronizing the transmitter and receiver

To synchronize the transmitter and receiver, they must be set to the same channel. Utilizing the channel selection, up to three workstations can work with the radio system independently of each other.

- ❗ When more than three independent workstations are required, then the manufacturer must be contacted.

#### Setting the channel on the transmitter

To set the channel on the transmitter, proceed as follows:

- To synchronize the transmitter and receiver to one channel, move the switch to Channel 1, 2 or 3.
- For the simultaneous synchronization of the transmitter with receivers set to various channels, move the switch to the ALL position.

#### Setting the channel on the device with the built-in receiver

To set the channel on the device with the built-in receiver, proceed as follows:

- Switch on the corresponding device.
- Allocate the device to the same channel e.g., transmitter to Channel 1, device to Channel C1, etc.
- In case of several devices, proceed analogously.
- Always observe the user manual of the corresponding device during the process.

### **Setting the channel on the device with the external receiver**

To set the channel on the device with the external receiver, proceed as follows:

- Switch on the corresponding device.

The LED of the receiver lights up as green. The sync voltage is applied.

- On the external receiver, select the same channel with the switch e.g., transmitter to Channel 1, Receiver to Channel 1.
- In case of several devices, proceed analogously.

### **Triggering a test flash**

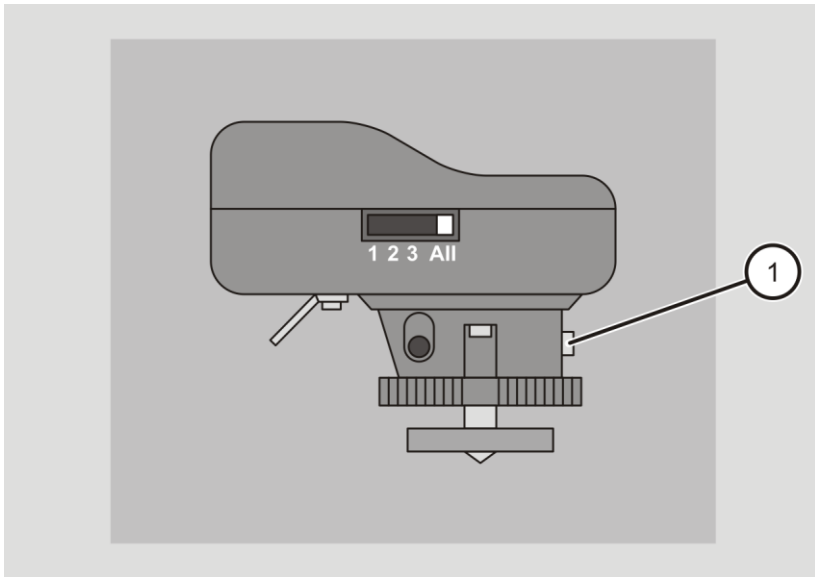
After correct synchronization of the transmitter and receiver, a test flash can be triggered.

- Switch on the corresponding device according to the user manual.
- Press the button (1) on the transmitter.

The corresponding device triggers a flash.

- If you want to release a test flash for all devices (Channels 1, 2 and 3) at the same time, then move the switch of the transmitter to the ALL position.
- Press the button (1) on the transmitter.

All devices trigger a flash independently of their channel setting.



### Triggering a flash

To trigger a flash, proceed as follows:

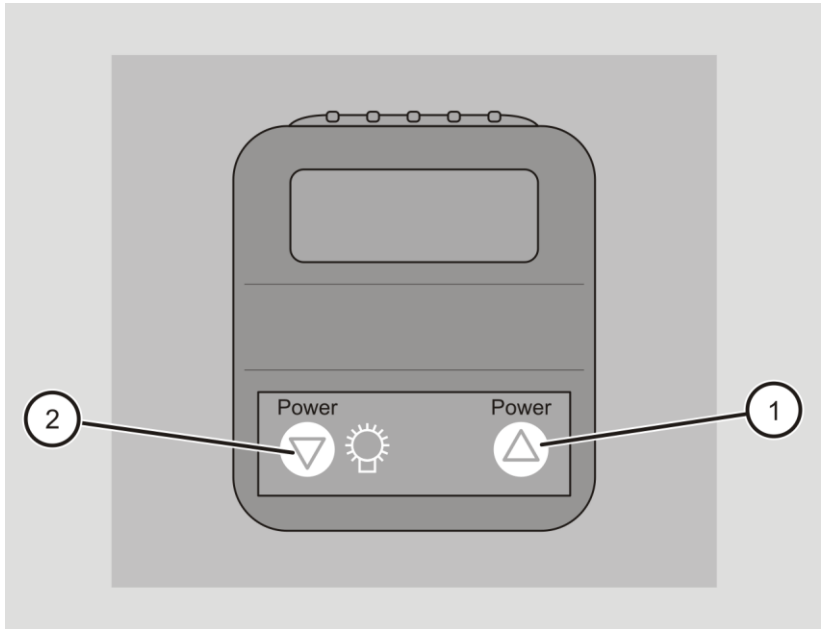
- Ensure that the transmitter and receiver are synchronized.
- Actuate the camera.

The corresponding device and/or devices trigger a flash.

### Setting the flash energy

The flash energy can also be set on the device with the built-in receiver using the transmitter. To set the flash energy, proceed as follows:

- Ensure that the transmitter and receiver are synchronized.
- To increase the flash energy, press the button (1).
- To decrease the flash energy, press the button (2).

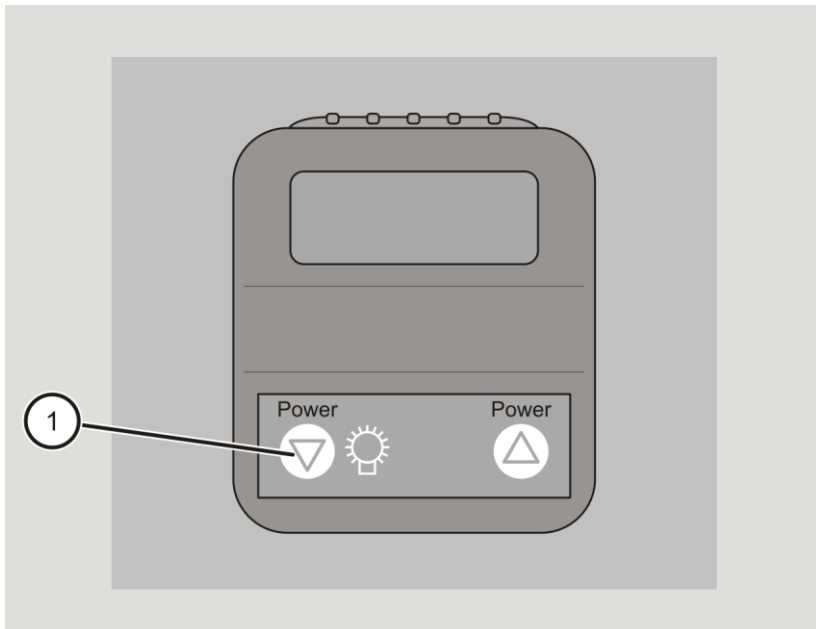


### Activating and deactivating the model light

In addition to the normal flash release and adjustment of the flash energy, the model light can be switched on and off on the device with the built-in receiver using the transmitter. To switch the model light on and off, proceed as follows:

- Ensure that the transmitter and receiver are synchronized.
- Keep the button (1) pressed down for longer than three seconds.

The model light switches between “Full”, “Off” and “Prop.”



## Operating the “Freemask” radio system

- ❶ The transmitter is not equipped with an on-off switch. It is ready for operation when it is connected to the camera via the flash shoe or sync cord. Utilizing the sync voltage of the device to which it is connected, the receiver detects whether the device is ready for operation. It therefore always switches on and/or off automatically.

For the “Freemask” application, at least two devices with the built-in receiver or two “Freemask” external receivers must be used for background lighting. For subject lighting, at least one device with a built-in receiver or an external “Strobe Wizard Plus” receiver must be used.

- ❷ Additional information and useful tips for the “Freemask” application can be found on our Internet page under: [hensel.eu/freemask](http://hensel.eu/freemask)

## Adjusting the camera

For the “Freemask” application, the camera must be adjusted in advance. In the process, proceed as follows:

- Set the camera to the fastest serial image speed.
- Set the number of exposures to “2.”

## Synchronizing the transmitter and receiver

To synchronize the transmitter and receiver, they must be set to the same channel. Utilizing the channel selection, up to three workstations can work with the radio system independently of each other.

- ❸ When more than three independent workstations are required, then the manufacturer must be contacted.

## Setting the channel on the transmitter

To set the channel on the transmitter, proceed as follows:

- To synchronize the transmitter and receiver to one channel, move the switch to Channel 1, 2 or 3.
- For the simultaneous synchronization of the transmitter with receivers set to various channels, move the switch to the ALL position.

### Setting the channel on the device with the built-in receiver

To set the channel on the device with the built-in receiver, proceed as follows:

- For subject lighting, set the device to the same channel C1, C2 or C3, according to the user manual of the corresponding device e.g., “Freemask” transmitter to Channel 1, the device for subject lighting to Channel C1, etc.
- For background lighting, set the device to the same channel F1, F2 or F3, according to the user manual of the corresponding device e.g., “Freemask” transmitter to Channel 1, the device for background lighting to Channel F1, etc.
- In case of several devices, proceed analogously.

All devices of both work groups (subject and backgroundlighting) must be allocated to the corresponding channels e.g., “Freemask” transmitter to Channel 1, subject lighting to C1 and background lighting to F1.

- ❗ The photo cell of the devices for background lighting must be switched off on the corresponding device to prevent release by the first flash group.

### Setting the channel on the device with the external receiver

To set the channel on the device with the external receiver, proceed as follows:

- Switch on the corresponding devices.

The LEDs of the receivers light up as green. The sync voltage is applied.

- Allocate the device with the external “Strobe Wizard Plus” receiver to the switch with the same channel e.g., “Freemask” transmitter to Channel 1, “Strobe Wizard Plus” receiver to Channel 1, etc.
- Allocate the device with the external “Freemask” receiver to the switch with the same channel e.g., “Freemask” transmitter to Channel 1, “Freemask” receiver to Channel 1, etc.
- In case of several devices, proceed analogously.

All devices of both work groups (subject and backgroundlighting) must be allocated to corresponding channels e.g. “Freemask” transmitter to Channel 1, subject lighting with “Strobe Wizard Plus” receiver to Channel 1 and background lighting with “Freemask” receiver to Channel 1.

### Triggering a test flash

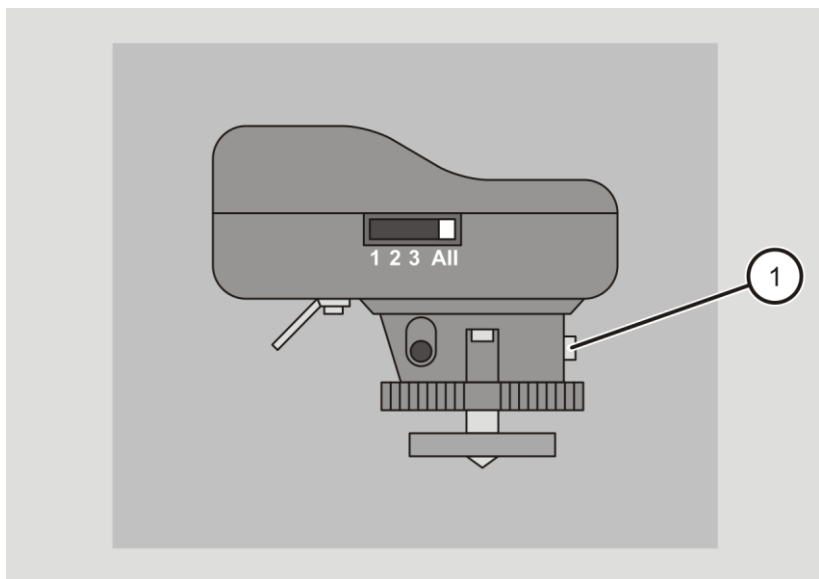
After correct synchronization of the transmitter and receiver, a test flash can be triggered.

- Switch on the corresponding devices to the user manuals.
- Press the button (1) on the transmitter.

The corresponding devices for the subject lighting initially trigger a flash and then the one for the background lighting.

- If you want to release a test flash for all devices (Channels 1, 2 and 3) at the same time, move the switch of the transmitter to the ALL position.
- Press the button (1) on the transmitter.

The corresponding devices for the subject lighting initially trigger a flash and then the one for the background lighting, independently of the channel setting.



**Triggering a flash**

To trigger a flash, proceed as follows:

- Ensure that the transmitter and receiver are synchronized.
- Actuate the camera.

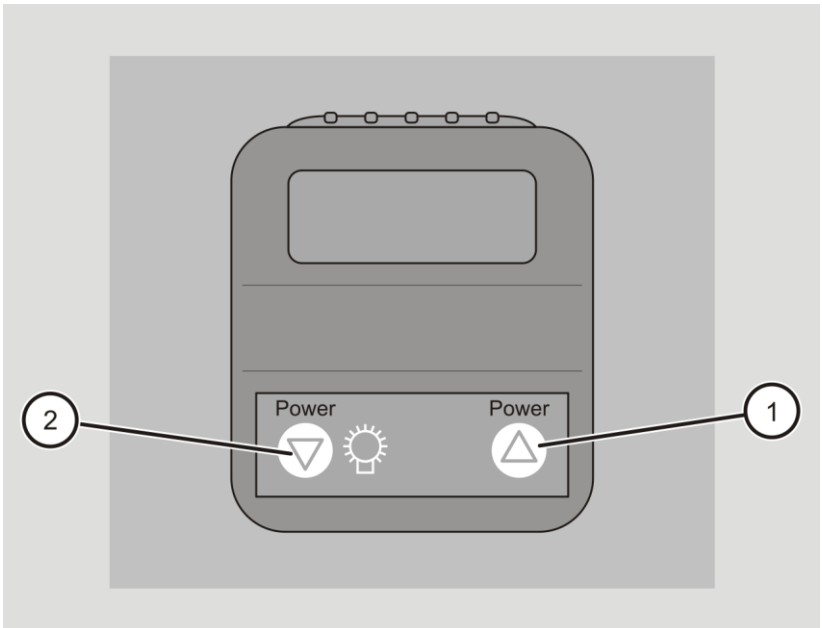
The corresponding device and/or devices trigger a flash.

**Setting the flash energy**

- ❗ With the “Freemask” transmitter, only the flash energy of the devices of the subject lighting can be changed.

To set the flash energy, proceed as follows:

- Ensure that the transmitter and receiver are synchronized.
- To increase the flash energy, press the button (1).
- To decrease the flash energy, press the button (2).



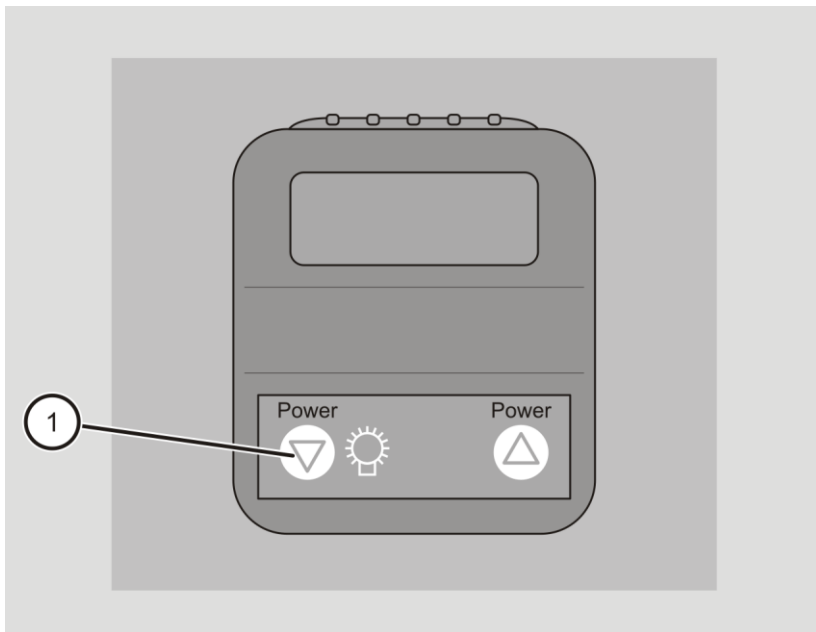
### Activating and deactivating the model light

**i** With the “Freemask” transmitter, only the model light of the devices of the subject lighting can be switched on and off.

To switch the model light on and off, proceed as follows:

- Ensure that the transmitter and receiver are synchronized.
- Keep the button (1) pressed down for longer than three seconds.

The model light switches between “Full”, “Off” and “Prop.”



## Remedying faults

Problem	Possible cause(s)	Remedy
The device does not release a flash.	Batteries are too weak.	<ul style="list-style-type: none"> <li>➤ Equip the transmitter and receiver with new batteries.</li> </ul>
	The transmitter and receiver are not set to the same channel.	<ul style="list-style-type: none"> <li>➤ Ensure that the transmitter and receiver are set to the same channel.</li> </ul>
	The receiver is located outside of the working distance of (max. 40 m) of the transmitter.	<ul style="list-style-type: none"> <li>➤ Change the setup location of the receiver in such a way that it can receive the radio signals of the transmitter without a fault.</li> </ul>

## Transporting and storing the radio system

To transport and store the radio system, proceed as follows:

- Dismantle the components of the radio system (see page 24).
- Do not store the radio system in locations which are exposed to heat, moisture, frost or cold.
- Cover the radio system.

## Servicing the radio system

### Cleaning the radio system

The radio system must be cleaned regularly. To clean it, proceed as follows.

- Regularly clean the outside of the radio system with a dry cloth.

### Exchanging the batteries

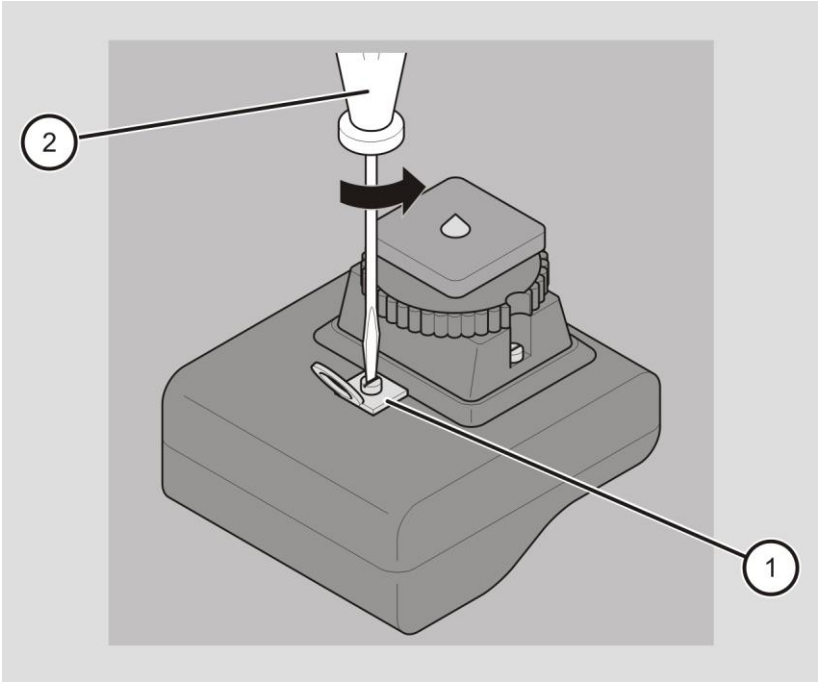
#### Transmitter

In case of a low current consumption, a transmitter battery service life of at least one to two years is expected depending on the use. To exchange the batteries of the transmitter, proceed as follows:

- Loosen the screw (1) with a screwdriver (2).

This action provides access to the electronics.

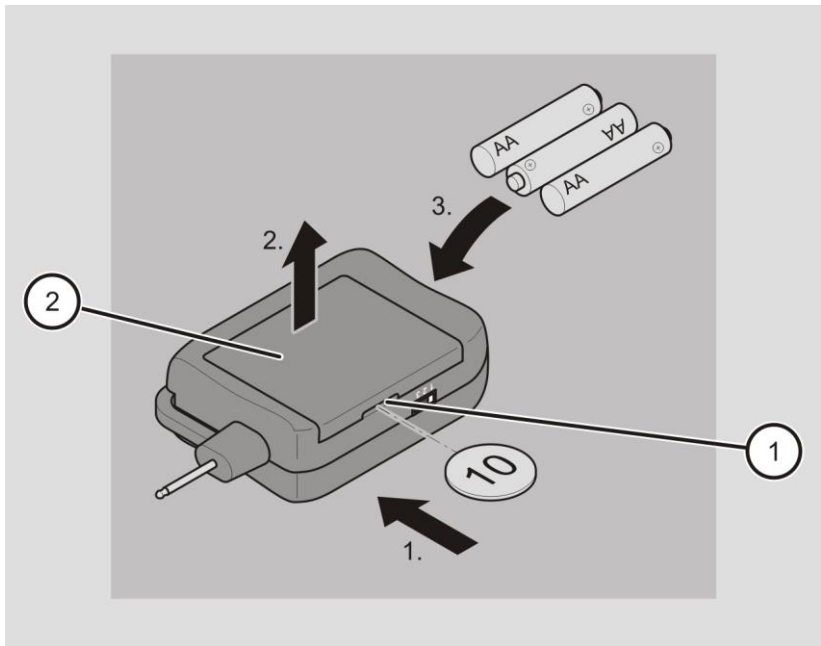
- Remove the battery from the battery compartment.
- Insert a new battery. In the process, pay attention to the correct polarity.
- Tighten the screw (1) with the screwdriver (2) again.



## Receiver

When the batteries on the external receiver must be exchanged, this circumstance is indicated by the lighting of the red LED. To exchange the batteries of the receiver, proceed as follows:

- To open the battery compartment, insert a coin into the side slot (1).
- Lift the cover (2).
- Remove the batteries from the battery compartment.
- Insert new batteries (3). In the process, pay attention to the correct polarity.
- Close the cover (2).



## Disposing of the radio system

### In Germany

- Dispose of the packaging of the radio system as separated according to material. Use local options for collecting paper, cardboard and lightweight packaging.
- Dispose of the radio system and accessories separately from domestic waste. Information regarding collection points that accept old devices free of charge can be obtained from your municipal authority.



### Outside of Germany

- Dispose of the radio system and packaging according to the regulations applicable for the installation location.

## EU Declaration of Conformity

Hensel-Visit GmbH & Co. KG hereby declares that the “Strobe Wizard Plus” and “Freemask” radio systems comply with Directive 2014/53/EU. The complete text of the EU Declaration of Conformity is available under the following URL:  
<https://support.hensel.eu/index.php/eu-konformitaetserklaerungen>.

## Accessories

### Transmitter

Designation	Article number
Strobe Wizard Plus transmitter	3950
Freemask transmitter	3955

### Receiver

Designation	Article number
Strobe Wizard	3951
Freemask	3956
Freemask set	3957

### Additional accessories

Designation	Article number
Sync cord, short	9581721
Lithium battery 6 V for transmitter	9998016

Information on additional accessories can be found on our website.

## Warranty provisions

### In Germany

The warranty provisions can be found in our general terms and conditions for business on our website: [www.hensel.de](http://www.hensel.de)

### Outside of Germany

The warranty provisions of the dealer from which you have purchased the radio system apply.

## **Limitation of liability**

We are not liable for equipment or property damage, or personal injury arising from improper use of the radio system that is inconsistent with the information provided in the user manual. We are also not liable for consequential damages (such as production or income losses etc.) that may be caused by a defect in or malfunction of our radio system.

## Returning a product to Customer Service

As soon as you detect damage to the radio system, proceed as follows:

- Send the radio system in its original packaging with a precise description of the defect to the following address for repair:

HENSEL-VISIT GmbH & Co. KG  
Customer Service Department  
Robert-Bunsen-Str. 3  
D-97076 Würzburg, Germany

Phone: +49 (0) 931-27881-0

Our Customer Service addresses within and outside of Germany can be found at:

[www.hensel.de](http://www.hensel.de)





