

# // PORTY L 600/1200

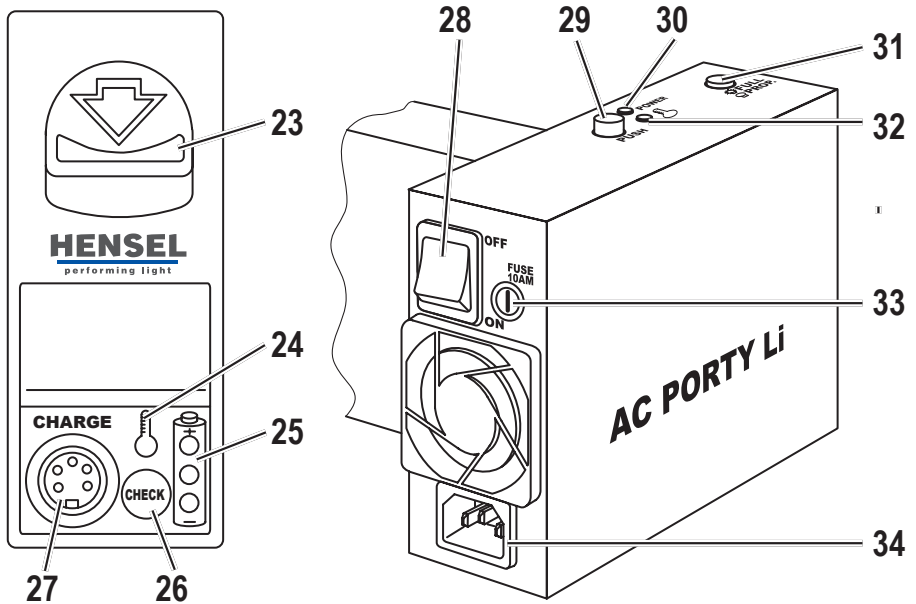
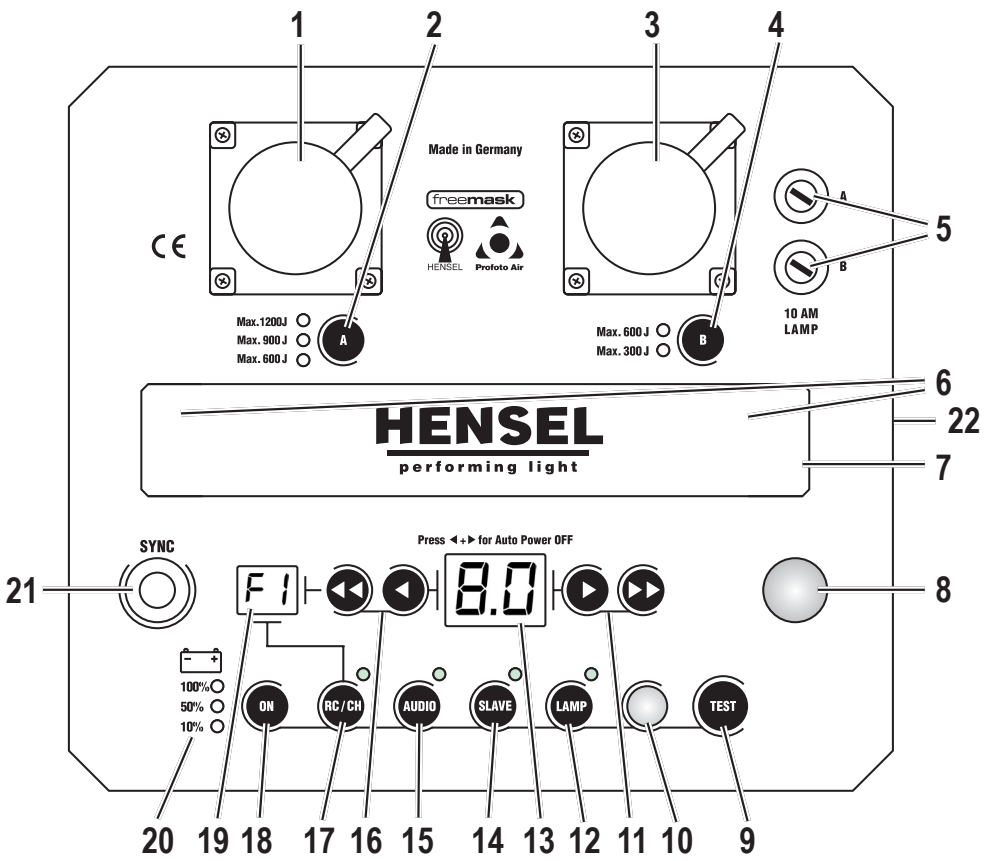
Battery power pack

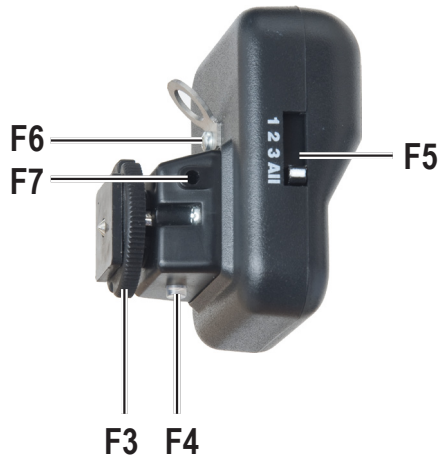


USER MANUAL

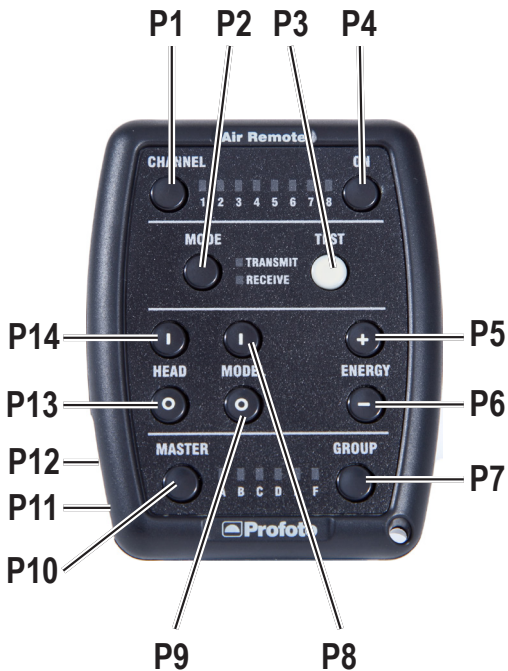
[WWW.HENSEL.DE](http://WWW.HENSEL.DE)

**HENSEL**  
performing light





Strobe Wizard Plus / freemask



Profoto Air Remote



Profoto Air Sync

# **HENSEL**

---

**performing light**

HENSEL-VISIT International GmbH  
Robert-Bunsen-Str. 3  
D-97076 Würzburg-Lengfeld  
GERMANY

Tel. +49 931 27881-0  
Fax: +49 931 27881-50  
E-mail: [info@hensel.de](mailto:info@hensel.de)  
Internet: <http://www.hensel.de>

© Hensel-Visit International GmbH, 2011

Distribution and reproduction of this documentation is not permitted unless specifically authorized. In case of violation, payment of damages will be due. All rights reserved, including rights created by patent grant, or registration of a utility model or design (ISO 16016).

Subject to technical changes. Errors and omissions excepted. The listed data are standard values and not to be regarded as guaranteed values in a legal sense. Values can deviate depending on component tolerance.

980009.00  
Effective date: 11/2011

# 1 Preface

Dear photographer,

By purchasing the battery flash generator **Porty L**, you have selected a high-quality and high performance product.

Below, we want to give you some details and hints on how to use this unit. These will ensure successful and productive work with it in the coming years.

Observing this necessary information entitles you to warranty adjustments, prevents damages, and extends the operational life of the unit.

Hensel-Visit took great care and observed all pertinent regulations on order to manufacture a safe product of highest quality. Stringent quality checks ensure our high quality standard even in large-scale production.

Please add your part and handle the equipment with the necessary care.

If you have any questions regarding the use of this equipment, feel free to call us any time.

We wish you great success and „good light.“

Hensel-Visit International GmbH

## 2 Content

1	Preface.....	5
2	Content.....	6
3	Safety instructions.....	8
4	General.....	11
	Description.....	11
	Scope of delivery.....	11
5	Technical data.....	12
6	Summary of control elements.....	14
7	Initial use.....	15
	Acclimatization.....	15
	Set-up.....	15
	Battery operation.....	17
	The charger Porty Lithium.....	17
	Battery charge status indicator.....	20
	Mains operation with AC Porty mains drawer.....	22
	Flash head connection.....	23
8	Operation.....	26
	ON/OFF switch.....	26
	Synchronization.....	26
	Modeling light.....	29
	Power adjustment.....	30
	Test flash.....	32
	Audio.....	32
	Flash readiness.....	32
	Daily flash counter.....	33

USB Interface .....	33
9 Operation with Strobe Wizard Plus.....	34
Summary of control elements .....	34
Setting transmitter .....	34
Setting receiver .....	35
Output adjustment.....	35
Switching the modeling light.....	36
10 Operation with freemask.....	37
Settings for freemask method .....	37
11 Operation with Profoto Air.....	39
Basic functions.....	39
Summary of control elements .....	40
Preparing transmitter .....	40
Remote trigger.....	41
12 Maintenance .....	44
Regular maintenance .....	44
Replacing fuse .....	44
Error messages.....	45
Warranty.....	46
Disposal.....	46
13 Customer service points .....	47
Manufacturer's service .....	47
Service points listed in the Internet .....	47
14 Accessories.....	48
15 Subject index .....	49
16 Declaration of Conformity .....	50

## 3 Safety instructions

In addition to the general rules for handling electrical equipment, the following safety precautions must be observed.

Read and observe the below listed information before initial operation of the equipment.

Supply a copy of the safety precautions when selling, leasing, or otherwise distributing this equipment.



---

### **ATTENTION!**

*Improper handling of the device, non-compliance with the safety hints below, or tampering with the safety features can cause property damage, bodily injury, electric shock, or even death.*

---

**Normal Use** The rechargeable flash generator **Porty L** is intended for professional use inside the studio. Its purpose is the supply of electrical energy for specified types of flash heads. The flash generator is to be used only with the accessories described in this manual and approved by Hensel-Visit.

The **Strobe Wizard Plus** transmitter, the **freemask** transmitter and **Profoto Air** are used for triggering flashes and adjusting the flash output of Hensel-Visit flash units with built-in receiver via radio signal.

**Abnormal use** The appliance may not be used for any other purpose than described above, especially not for other electrical applications.

### **Set-up and initial operation**

- Do not use flash units in explosive environments.
- Before connecting the AC mains drawer to the power supply, make sure that the mains voltage corresponds to the specifications listed on the unit's specification plate.
- The **Porty** with AC mains drawer must only be connected to grounded power supply systems.
- Check the protective conductor function of the power supply before initial use.

- Only use plugs/connectors with flawless contacts. Burned or corroded plug contacts can cause fires. Defective plugs can cause substantial damage to the plug socket.
- Do not connect accessories from other manufacturers, even when these look similar or alike.
- To prevent damages and tripping hazards, avoid laying cables on the floor. If this is not possible, make sure that the cables cannot be damaged by vehicles, ladders, etc.
- Damaged cables and housings need to be replaced immediately by an authorized service department.
- Keep the minimum distance around the equipment unobstructed to ensure proper ventilation.
- Do not place any objects on top of the equipment (coffee cups, vases, containers filled with water, etc.).
- Choose safe locations for set-up and make sure that the equipment cannot fall into pools or bodies of water.
- Keep proper distance from flammable materials like decorative fabrics or paper to prevent the risk of fire.
- Secure the equipment with a back-up support when attaching it to ceilings or pantographs. Use the device's safety features and secure the device additionally with a safety rope. Suitable safety ropes can be purchased from Hensel-Visit, see „14 Accessories“ on page 48.

## Generators, compact flash units and flash heads

---



### **ATTENTION!**

*Defective flash tubes and false handling can pose a mortal danger.*

*A damaged flash tube can mean mortal danger because you could come in contact with the electrodes conducting high voltage. Therefore, never touch exposed electrodes inside the flash tube!*

*Before replacing flash tubes or modeling lights, the unit must be switched off and disconnected from the power supply (when using an AC mains drawer) or the generator. Even when the unit is switched off and properly disconnected from the power supply, the condensers could still be highly charged in case of a malfunction. This means touching the device could pose a life-threatening danger.*

*Halogen lamps and flash tubes may burst and must only be operated with properly mounted Hensel safety dome.*

---



### **ATTENTION!**

*Risk of death when coming in contact with the condenser voltage.*

*Opening the housing and repairs of the unit must only be done by an authorized customer service provider.*

---

## Working with the equipment

- Do not flash into eyes at short distances since this may lead to eye damage.
- Do not look directly into the flash tube or the reflector. The flash could be triggered accidentally.
- Regularly air closed rooms to prevent build-up of inadmissible ozone concentrations which can occur due to the use of high-powered flash systems.
- Cover the equipment which is not in use with a proper dust guard when working in a dusty environment.

## 4 General

### Description

The **Porty L** is a powerful, battery-operated flash generator with rechargeable lithium batteries. The rechargeable batteries can be replaced with a mains drawer. The generator can be triggered and controlled via different radio remotes due to its built-in radio receiver. The radio antenna is integrated in the handle of the generator. The stored energy is digitally adjustable in 1/10 steps and can be distributed either symmetrical or asymmetrical via the two flash sockets.

Extremely fast flash recycle times, short flash duration, and a wide output range hallmark this robust unit. The large LED display and the illuminated foil surface with its distinct stamping and the Hensel user logic make the **Porty L** easy to use.

Pro Mini and Pro Mini Porty series flash heads can be connected to it and also the ring flash RF. Other Hensel flash heads can be connected (battery operation without modeling light) via an optional adapter cable (20-way on round).

This user manual describes the generators **Porty L 600** and **Porty L 1200**. The operation is identical, the only difference is the performance level.

### Scope of delivery

Please check the scope of delivery before initial use.



#### **Note:**

*The scope of delivery may vary depending on order configuration and country of delivery. Please see corresponding information on your delivery documents and order forms.*

Standard scope of delivery includes:

- 1 Porty L 600 or Porty L 1200
- 1 Lithium-ion battery pack
- 1 Charger
- 1 Sync cord
- 1 Generator bag
- 1 User manual

## 5 Technical data

Unit series/unit type	Porty L 600	Porty L 1200
<b>Listed performance output:</b>	600 J	1200 J
<b>Lead aperture 100 ASA, † 1/60, 12"-Reflector, output 10.0*:</b> 1 m distance: 2 m distance:	f 90 1/10 f 45	f 128 0/10 f 64 0/10
<b>Flash duration time, † 0,5 s, 8.0 output</b> 1 EH Pro Mini 1200P Speed: 1 EH Pro Mini 1200P:	1/7.650 s 1/4.200 s	1/5.160 s 1/2.380 s
<b>Flash duration time, † 0,1 s, 8.0 output</b> 1 EH Pro Mini 1200P Speed: 1 EH Pro Mini 1200P:	1/2.650 s 1/1.550 s	1/2.030 s 1/970 s
<b>Flash duration time, † 0,5 s, 10.0 output</b> 1 EH Pro Mini 1200P Speed: 1 EH Pro Mini 1200P:	1/2.980 s 1/1.510 s	1/1.580 s 1/970 s
<b>Flash duration time, † 0,1 s, 10.0 output</b> 1 EH Pro Mini 1200P Speed: 1 EH Pro Mini 1200P:	1/900 s 1/520 s	1/520 s 1/290 s
<b>Number of flashes per battery charge, 100% output**:</b>	max. 425	max. 210
<b>Recharge time to 100% output:</b>	1,1 s	2,1 s
<b>Flash performance adjustment:</b> <b>Output distribution:</b> <b>Flash sockets:</b>	10 - 4 = 7 f-stop symmetric or asymmetric 2 (round sockets)	
<b>Modeling light battery operation:</b> <b>Modeling light mains operation:</b>	Halogen lamp 2 x 60 W Halogen lamp up to 2x 650 W	
<b>Specification battery:</b>	Lithium-ion, rechargeable U (list) = 14,6 V/6,5 Ah Weight 1,2 kg	
<b>Charge time battery:</b>	2 h/100%. 45 min./80%	
<b>Fitting flash heads:</b>	Hensel Pro Mini, Pro Mini P, also simultan.	
<b>Fuse protection modeling light/charge:</b>	2 x 10 AM, 5 x 20 mm	
<b>Weight including battery:</b>	5,4 kg	5,9 kg
<b>Housing dimensions (LxWxH):</b>	22,5 cm x 20 cm x 21,5 cm	
<b>Code no.:</b>	4960	4962
* Output 10.0 = 100%. ** Modeling light OFF		

<b>Radio remote unit series/unit type</b>	<b>Strobe Wizard Plus transmitter/T4/6 V</b>
<b>range:</b>	> 40 m (12.2 feet) at clear visibility
<b>Channels:</b>	3 individual channels adjustable + 1 „All“ Channel
<b>Frequency:</b>	433,92 MHz
<b>Sync voltage for camera:</b>	< 1 mA for 5 $\mu$ s / 3 V
<b>Minimal shutter speed for sync:</b>	1/250 s with focal plane shutter 1/500 s with between-the-lens shutter
<b>Weight:</b>	0,053 kg
<b>Housing dimensions (LxWxH):</b>	55 mm x 63 mm x 48 mm
<b>Rating:</b>	IP 32
<b>Suitable flash units:</b>	Party Lithium/Premium Plus
<b>Designation of battery:</b>	28L/6 V
<b>Code no.:</b>	3950
<i>The system meets all requirements according to ETSI EN300220 and FCC15.231</i>	

<b>Mains drawer unit series/unit type</b>	<b>mains drawer AC Party Li</b>
<b>Input voltage:</b>	Multivoltage (90-230 V)
<b>Ambient temperature, max.:</b>	35° C
<b>Modeling light, max.:</b>	up to 2 x 650 W
<b>Weight:</b>	2,5 kg
<b>Housing dimensions (LxWxH):</b>	17,5 cm x 11,0 cm x 23,0 cm
<b>Rating:</b>	IP 42
<b>Ventilation:</b>	Active cooling via ventilation
<b>Code no.:</b>	4965

<b>Radio remote unit series/unit type</b>	<b>Hensel Profoto Air</b>
See the original user manual of the manufacturer Profoto	

*Technical modifications excepted.  
The listed data are standard values which may deviate depending on component tolerances.*

## 6 Summary of control elements

### Porty L 600/1200

- 1 .....Flash lamp socket channel A
- 2 .....Output switch channel A
- 3 .....Flash lamp socket channel B
- 4 .....Output switch channel B
- 5 .....Fuse modeling light/charge  
M 10 AM
- 6 .....Storage of replacement fuses
- 7 .....Handle with radio antenna
- 8 .....Photo cell
- 9 .....Test flash **TEST**
- 10....Indicator flash ready **READY**
- 11....Output adjustment in 1/10 or  
1 f-stop increments
- 12....Modeling light ON/OFF **LAMP**
- 13....Indicator for selected output/  
flash count/groups/error codes
- 14....Photo cell ON/OFF **SLAVE**
- 15....Audio signal ON/OFF **AUDIO**
- 16....Output reduction in 1/10 or  
1 f-stop increments
- 17....Radio receiver ON/OFF  
(Hensel,Profoto) and channel  
selection **RC/CH**
- 18....Power switch ON/OFF **ON**
- 19....Indicator channel selection
- 20....Battery charge level
- 21....Sync socket **SYNC**
- 22....USB interface

### Battery pack

- 23....Unlocking battery pack
- 24....Overheating indicator
- 25....Battery charge level
- 26....Key button for battery capacity  
**CHECK**
- 27....Charge socket **CHARGE**

### Mains drawer

- 28....Mains switch **ON/OFF**
- 29....Unlocking mains drawer **PUSH**
- 30....Readiness indicator **POWER**
- 31....Switching modeling light **FULL/  
PROP.**
- 32....Overheating indicator
- 33....Fuse M 10 AM
- 34....Mains adapter socket

## 7 Initial use




---

### **ATTENTION!**

*Please make sure that the unit is not connected to a power supply when preparing for initial use.*

---

### **Acclimatization**

When relocating the battery generator from and to locations with substantial temperature differences, place the unit in the surroundings where it is to be used and leave it there for some time. This prevents moisture built-up which can result in creeping currents.

### **Set-up**




---

### **ATTENTION!**

*Please regard the general safety instructions pertaining to set-up location and surrounding area in the chapter „Set-up and initial operation“ on page 8.*

---

The generator can be operated standing or in horizontal position.

Due to their mobility, battery generators are mainly used „on location“. Set-up and initial use outside the studio require special care and precautions to ensure safety at all times.




---

### **ATTENTION!**

*Mortal danger! Make sure that the units (generators with flash heads connected) cannot fall into bodies of water or come in contact with water when used near such like oceans, rivers, pools, etc.*

*Protect the unit from precipitation during use and when not in use.*

*Always make sure the unit is positioned securely. When necessary, secure against tipping and falling.*

---

**Suspended mounting** Doubly secure the equipment against dropping when mounting it in a suspended fashion. According to the applicable safety regulations, it is necessary to secure the units twice by using a steel rope. This can be ordered from Hensel-Visit, see „14 Accessories“ on page 48.

- ➡ Lead the steel rope through the generator's handle and through a suitable eyelet on the suspension.

**Hooked to a stand** The optional generator holder (see „14 Accessories“ on page 48) allows you to hook the generator to the bottom of a lamp stand. Thus the stand has a lower center of gravity and therefore, a more secure stand. This also protects the generator from possible moisture and dirt on the floor.



## Battery operation

---



### **ATTENTION!**

*Danger of explosion if the battery pack is handled improperly. The battery flash generator must only be operated with genuine Hensel lithium-ion batteries.*

*Batteries contain hazardous and caustic substances. Please note the warning label on the battery.*

*The battery pack must not be opened or taken out of the housing.*

*The battery pack must not be exposed to excessive heat like sunshine, fire or such.*

*The battery pack must be protected from shock, vibration, and moisture.*

---

## Battery pack removal and insertion

- Removal**
- Switch off the **Porty L** using the power switch **18**.
  - Push down the unlocking device **23** on the battery pack and pull the battery pack out of the unit's front.
- Insertion**
- Push the battery pack into the unit until you hear it lock into place.

## The charger Porty Lithium

---



### **ATTENTION!**

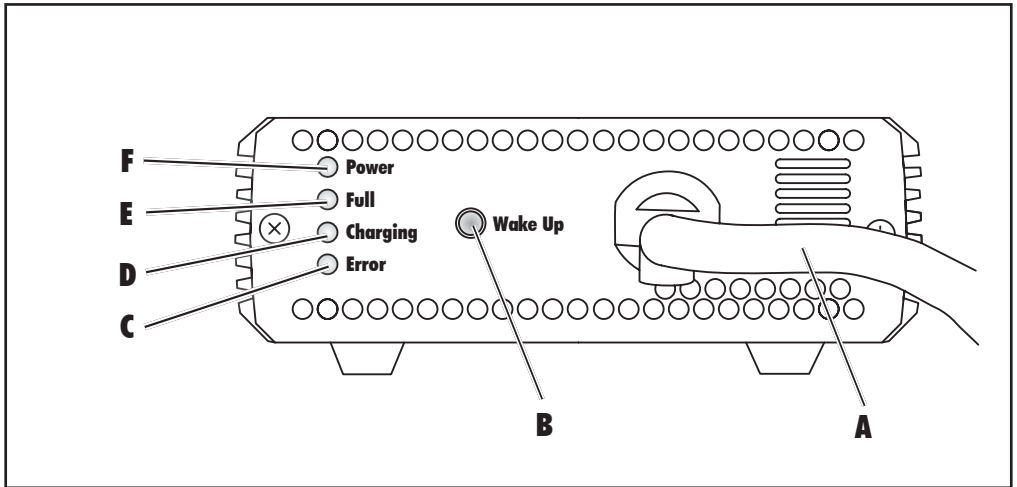
*The battery pack must only be charged with a genuine Hensel charger Porty Lithium.*

---

The micro chip controlled charger has an input voltage range of 100-240 VAC. The charge time is 2 hours. After 45 minutes, the battery has reached a charge level of 80% maximum capacity.

The charge level is indicated on the charge indicator **E**.

Charging the battery is done via the charge socket located on the battery **27**. The battery can be inside or out of the **Party L** during charging.



- A ..... Charge cable
- B ..... Start charging **Wake Up**
- C ..... Error indicator **Error** (rot)
- D ..... Charge indicator **Charging** (yellow)
- E ..... Charge level indicator **Full** (green)
- F ..... Power check **Power** (red)

## Technical data

<b>Charger unit type</b>	<b>Charger Party Lithium</b>
<b>Connector option:</b>	Party L 600 Party L 1200
<b>Input voltage:</b>	Multivoltage (100-240 VAC)
<b>Output voltage:</b>	max. 16.8 V
<b>Output current:</b>	up to max. 8 A, automatic adjustment, Short-circuit proof and inverse polarity protected
<b>Charging time:</b>	100% ca. 2 h, 80% ca. 45 min.
<b>Weight in kg (without mains cable):</b>	0,83 kg
<b>Housing dimensions (LxWxH):</b>	190 mm x 111 mm x 43 mm
<b>Ventilation:</b>	active cooling via regulated ventilation
<b>Scope of delivery:</b>	charger with fixed charge cable, mains cable with country-specific plug
<b>Code no.:</b>	5672

Subject to technical changes.

The listed data are standard values which may deviate depending on component tolerances.

## Connection and operation

The unit does not have a mains switch. It is ready when connected to a power supply. A status display allows you to monitor the charge process.



### **ATTENTION!**

*The charger must only be connected to grounded power supplies.*

*The charger Party Lithium is only approved for the charging of Party L batteries.*

- Plug in the included mains cable into the mains connector socket (on the back) and connect the mains plug to the power supply.  
The mains check **Power F** lights up red.
- Insert the plug of the charger cable **A** into the charge socket **27** of the battery and lock the plug by turning it clockwise a quarter of the way.  
The yellow charge control **Charging D** is blinking.

- ➔ Press the **Wake Up** key **B**, to start the charging process.

When the battery is fully charged, the green charge indicator **Full E** lights up.

- ➔ Remove the charge cable from the battery.

The charge capacity can also be checked via the charge indicator on the battery. See „Battery charge status indicator“ on page 20.



**Note:**

*The battery should not be connected to the charger for longer than 24 hours.*

*Due to a chemical reaction, the charger heats up while charging. This is especially pronounced at the end of the charge process when the battery feels warm. If the battery does not warm up properly and gets really hot, the protective switch could be faulty. In this case, remove the charger cable and have the battery checked by an authorized service center.*

A possible charging error is indicated by a red error light **C Error**.

## Battery charge status indicator



The charge status of the **Porty L**'s battery is shown on the battery charge status indicator **20**. 3 LEDs indicate the charge capacities 10%, 50% and 100%. Of course, these are only approximate values since the available number of flashes depends also on factors like temperature, age of the battery, etc.

## Charge status indicator while operating generator



The battery's capacity can also be checked on the battery's charge status indicator **25**. This is also possible when the generator is switched off.

- ➔ Press the **CHECK** key **26** on the battery drawer.  
The capacity of the battery is indicated by a lit-up LED.

LED	charge status/capacity
none:	battery is completely empty, battery has turned off
red blinking:	$\leq 3\%$
red:	$\leq 10\%$
yellow:	$> 10\%$ und $\leq 50\%$
green:	$> 50\%$

### Battery charge status while charging the battery

During the charging process the charge status is indicated as follows:

LED	charge status/capacity
red blinking:	$\leq 10\%$
red continuous, yellow blinking:	$> 10\%$ und $\leq 50\%$
red, yellow continuous, green blinking:	$> 50\%$
red, yellow, green continuous:	$> 85\%$
none:	battery fully charged

### Error message while charging battery

When the protective feature is activated, the error indicator **C Error** on the charger is blinking. The charge status indicator **25** and the **CHECK** key **26** indicate no function. To reset the battery, follow these steps:

- Switch off the charger.
- Switch the charger on again.

Now, the battery is ready to be charged again. In such cases and if this happens more frequently, the charger should be monitored and sent in for inspection.

In case of overheating due to charging the battery too long, the battery's overheating indicator **24** lights up.

- Discontinue the charge process until the battery has cooled down.

## Mains operation with AC Porty mains drawer

During stationary use, the battery flash generator can be hooked up to the power supply via the mains drawer AC Porty Li. Instead of the battery pack, the mains adapter is inserted into the unit



---

### **ATTENTION!**

*Before connecting the AC mains drawer to the power supply, make sure that the voltage corresponds to the information on the type label or the values listed in the documentation. The AC Porty mains drawer must only be connected to grounded power supplies.*

---

The type label is located at the bottom side of the housing.

The AC mains drawer is equipped with multi-voltage technology which means the unit automatically adjusts to the applicable voltage.

In case of an overheated mains drawer, the control LED **32** lights up.

- ➞ In this case, switch off the mains adapter and wait until it has cooled off.

## **Fuse protection, building**

Sockets intended for the connection of an AC mains drawer must be protected against short circuit with a minimum of 10 A.

## **AC Porty mains drawer insert**

- ➞ Turn off the **Porty L** with the power switch **18** before removing the battery pack.
- ➞ Press the unlocking mechanism **23** on the battery pack and simultaneously pull out the battery pack from the unit by pulling it towards the front end of the unit.
- ➞ Push the mains drawer into the unit until you hear it snap into place.
- ➞ Plug the included mains cable into the mains connector **34** and connect the mains plug to the power source.
- ➞ Use the power switch **28** to switch on the mains adapter. The LED **POWER 30** lights up.

## AC Porty mains drawer removal

- Turn off the **Porty L** with the power switch **18**.
- Turn off the mains adapter with the power switch **28**.  
The LED **POWER 30** goes out.
- Disconnect the mains cable from the power supply.
- Press the unlocking mechanism **29** on the mains drawer and simultaneously pull the mains adapter out of the unit.

## Switching the modeling light

In mains operation, flash heads with a 115 V modeling light or a 230 V modeling light can be switched between full and proportional operation.

- Press the **FULL/PROP** key **31**  
The modeling light is set at maximum strength and the control lamp inside the key is lit.
- Press the **FULL/PROP** key **31** again  
The modeling light is now set proportional to the selected output, the control lamp inside the key is off.

## Flash head connection



### **ATTENTION!**

*Always switch off the generator before connecting a flash head. Please note the general safety precautions listed in the section „Generators, compact flash units and flash heads“ on page 10 when handling flash heads.*

Special flash heads are intended for the use with **Porty L**. The flash head cable is connected via a round plug to the flash head and to the generator.

Depending on the flash heads' type of modeling light and whether the generator is operated with battery or mains adapter, different functional properties and limitations apply. These are listed in the following summary.

## Flash heads with 12V modeling light

- EH Pro Mini 1200 P
- EH Pro Mini 1200 P Speed
- EH Pro 1200 P

These flash heads are operated with a 12 V modeling light. The modeling light has a maximum of 60 W.



---

### **Note:**

*These flash heads must be connected via the flash head cable marked with yellow.*

---

## Generator with battery operation

- The modeling light can be set to continuous mode or to automatic switch off via the generator.
- The modeling light can not be set proportionally to the flash output.

## Generator with mains operation

- The modeling light can be set to continuous mode or to automatic switch off via the generator.
- The modeling light can not be set proportionally to the flash output (the **FULL/PROP** key **31** does not have a function)

## Flash heads with a 115 V or 230 V modeling light

- EH Pro Mini
- EH Pro Mini Speed
- EH Pro (long plug, via adapter)

These flash heads are operated with a 115 V or 230 V modeling light. The modeling light has a maximum of 650 W.



---

### **Note:**

*These flash heads must be connected via the flash head cable marked with **red**.*

---

### **Generator in battery operation**

- The modeling light is not available.
- The fan does not work.

### **Generator in mains operation**

- The modeling light can be set to continuous mode or to automatic switch off via the generator.
- The modeling light can not be set proportionally to the flash output (**FULL/PROP** key **31**)
- The fan works.

### **Connection of further flash heads**

#### **Ring flash RF 3000P/PM-XS**

A specially designed ring flash can be connected to the battery generator. The ring flash does not have a modeling light.

#### **Other Hensel flash heads**

Existing Hensel flash heads with long plug are connected to the generator via adapter cable; see „14 Accessories“ on page 48. In this case, there is no modeling light available.

#### **Other manufacturers**

Though similar lamp sockets and plugs may be used by other manufacturers, their lamps and flash heads must not be connected to the **Porty L**. Please contact the Hensel customer support concerning options for adaption.

## 8 Operation

### ON/OFF switch

The battery flash generator is switched on by pressing the **ON** key **18** for approximately 1.5 s. When the flash ready light **10** comes on, the unit is ready to flash.

When switched on, it defaults to the settings which were active before the last switching off. This means that the unit stores the settings at the time of switch off.

The **ON** key **18** switches the generator off.

### Automatic shut-off

To conserve battery power, the unit can switch itself off (0-60 min.) after a set time. At delivery, the automatic shut-off time is set at 15 minutes.

*How to adjust the shut-off time:*

- ➡ Press the ◀ key **16** and the ▶ key **11** simultaneously. The currently set shut-off time is shown in display **13**.
- ➡ Right after this, the time can be changed by using the keys.

By activating the display „--“, the automatic switch off is disabled.

After ca. 2 seconds, the display automatically switches to f-stop.

Turn off is signalled by a dual tone signal when the audio function is activated.

### Synchronization

The synchronization between battery flash generator and camera is either done via sync cord, the built-in photo cell, or via the radio **Strobe Wizard Plus**, **freemask** or **Profoto Air**.

## Synchronization via cable

The battery flash generator is connected to the camera by connecting the synchronization cable with 6.3 mm jack plug to the sync socket **21** on the camera.

The synchronizing process uses the latest semiconductor technology and warrants reliable triggering of the flash unit even when using older camera models with mechanical contacts. The lower voltage of the sync socket makes safe and reliable operation possible, also with the use of modern digital cameras.



### Note:

*Based on the multitude of possible electronic circuits in different cameras which are used for the synchronization, we are not liable for possible damages to the camera used for flash triggering. Please contact the camera's manufacturer before using a non-standard camera for such purposes.*

## Synchronization via photo cell

The built-in slave **8** triggers the flash through the incidence of a flash that was emitted by another unit (slave mode).

This mode of operation is activated/deactivated with the **SLAVE** key **14**. The on-state is indicated via the key's LED.

The slave is an impulse photo cell. It only triggers the flash when the incidence of the other flash is stronger than the ambient light.



### Note:

*Make sure that no other bright, ambient light reaches the slave. If this cannot be avoided, use a cable or radio transmitter for synchronization.*

*Another interference can be arc discharge lamps, like the ones used in ceiling spots. The impulse-like radiated light could possibly trigger the slave.*

## Synchronization via radio transmitter

The remote radio-control systems **Strobe Wizard Plus**, **freemask**, and **Profoto Air** can be used to conveniently synchronize camera and flash unit via radio remote control.



---

**Note:**

*In this case, the slave has to be switched off with the **SLAVE** key 14.*

---

*Synchronization is done by selecting from three optional channels.*

Activation of the radio channels and channel setting of the **Strobe Wizard Plus**, **freemask**, and **Profoto Air** units is done via the **RC/CH** key 17.

Switching radio receiver on/off

- Briefly press the **RC/CH** key 17 to switch on the radio mode. The display 19 reads „C1“ for channel 1 of Strobe Wizard Plus. The LED above the key lights up green.
- Again press the **RC/CH** key 17 briefly. The display 19 reads „P1“ for channel 1 of the Profoto Air receiver. The LED above the key lights up orange

- Again press the **RC/CH** key 17 briefly to switch off the radio mode.

Switching radio channels

- Press the **RC/CH** key 17 for ca. 2s to switch the channels of the radio receivers.
- The control keys ◀, ◀◀ 16 and ▶▶, ▶ 11 are for switching channels

For a detailed description of the systems, please see „9 Operation with Strobe Wizard Plus“ on page 34.



---

**Note:**

*Other radio transmitters like radio thermometers or radio remotes that use the same radio frequency may interfere with radio operation.*

---

## Modeling light

The modeling light is turned on with the **LAMP** key **12**. The LED on the key indicates the on-status. Flash heads which are specially designed for the Porty generator must not have the modeling light set on "continuous light" so that the generator can switch the modeling light.

- **Pressing** the **LAMP** key **12 briefly** turns on the modeling light for ca. 30 s, the LED is blinking.  
During this time, the light can only be switched off by triggering the flash.
- **Pressing** the **LAMP** key **12 longer** switches the modeling light to continuous mode, the LED is lit.  
When flashing in this mode, the light goes out while the flash capacitors are charging and it comes back on afterwards.
- **Pressing** the **LAMP** key **12 briefly** switches off the modeling light again.

Only the temporary modeling light is available when switching on the modeling light via the radio remote.

The Porty L generator offers different options for the modeling light, depending on the flash heads used and whether the generator is operated with battery or AC mains drawer, please note also „Flash head connection“ on page 23.

The light output (brightness) of the modeling light can be adjusted proportionally to the flash output when flash heads are used in conjunction with the AC mains drawer.




---

### Note:

*Switch off the modeling light during longer breaks to conserve energy and extend the life of your lamp.*

---

## Power adjustment

The flash output is adjusted in steps over a range of 7 f-stops with the ◀, ◀◀16 and ▶▶, ▶11. ◀ reduces the power, ▶ increases the power of the flash light

- Pressing the keys ◀ and ▶ adjusts the power in steps of 0.1 f-stops.
- Pressing the keys ◀◀ and ▶▶ adjusts the power in full f-stop steps.

The LED display 13 shows the selected output values from 4.0 to 10.

**Porty L** can be operated in symmetrical or asymmetrical mode via the two flash channels **A 1** and **B 3**.

Setting is done via the **A 2** and **B 4** keys. LEDs indicate the selected maximum power for each channel.

A maximum of 1200 J (Porty L 600: 600 J) can be set for channel A and a maximum of 600 J (Porty L 600: 300 J) can be set for channel B.

### Power adjustment, only channel A is used

- ➡ Press the **A key 2** to switch on the flash channel A.
- ➡ The LED at **Max. 1200 J** (Porty L 600: **Max. 600 J**) lights up.
- ➡ Select the desired flash output with the keys ◀, ◀◀16 and ▶▶, ▶11.

Listed power output	Energy Porty 1200 L	Energy Porty 600 L
10	1200 J	600 J
9.0	600 J	300 J
8.0	300 J	150 J
7.0	150 J	75 J
6.0	75 J	38 J
5.0	38 J	18 J
4.0	18 J	9 J

- ➡ Press the **A key 2** again to switch off the flash channel A again.

## Power adjustment, only channel B is used

The power output is adjusted the same way for channel B - via the **B** key 4.

Listed power output	Energy Porty 1200 L	Energy Porty 600 L
9.0	600 J	300 J
8.0	300 J	150 J
7.0	150 J	75 J
6.0	75 J	38 J
5.0	38 J	18 J
4.0	18 J	9 J

➤ Press the **B** key 4 again to switch off the flash channel B.

## Power adjustment, both channels, symmetric operation

➤ Set an equal amount of maximum power output for channels A and B by repeatedly pressing the **A** 2 and **B** 4 keys. Now, the power is distributed equally among the two flash heads.

➤ Select the desired flash output with the keys ◀, ◀◀16 and ▶▶, ▶11.

## Power adjustment, both channels, asymmetric operation

➤ Set an asymmetric maximum power output by repeatedly pressing the **A** 2 and **B** 4 keys.

➤ Adjust the desired flash output with the keys ◀, ◀◀16 and ▶▶, ▶11.

	Option	Channel A	Channel B	Power value
Porty 1200 L	1	900 J	300 J	10-6
	2	600 J	300 J	9.6-5.6
Porty 600 L	1	450 J	150 J	10-6
	2	300 J	150 J	9.6-5.6

## Automatic power drop (APD)

When the flash output is reduced, the APD system (Automatic Power Drop) depletes the stored energy internally. No flash is triggered.

Triggering a test flash also drops the stored energy.

## Test flash

The test flash is triggered by hand with the **TEST** key **9**. Holding down the key results in the fastest possible sequence of flashes.

## Audio

An audio signal can be added by pressing the **AUDIO** key **15** (control LED lights up) and acoustically confirms the following functions:

- Flash readiness after flashing (1x)
- Automatic switch-off (2x)
- Error message (1x long)

## Flash readiness

Flash readiness after switching on is indicated by a LED **READY** **10**. Flash readiness is also signalled by an audio signal if this function is activated.

## Daily flash counter

The number of flashes which were triggered since last resetting the counter is displayed on the two LED displays **19** and **13**.

*How to read the daily flash counter:*

- Press the **AUDIO** key **15** for one second. The LED displays **19** and **13** are blinking and show the number of flashes triggered.

Both displays are read together. The number range of the flash counter goes up to 9999.

**Example:**

<b>Left display</b>	<b>right display</b>	<b>result</b>
00	21	21 flashes
01	01	101 flashes

*How to reset the daily flash counter:*

- While in flash count mode, press the **SLAVE** key **14**  
The display is reset to 00 00.

## USB Interface

The USB interface **22** located on the side of the generator's housing is only used for service purposes.

## 9 Operation with Strobe Wizard Plus

- Radio triggering** The **Porty L** battery flash generator has a built-in radio receiver that can be used for flash triggering.
- Radio remote control** This radio connection also allows you to remotely control the modeling light and remotely adjust the power output.

### Summary of control elements

#### Transmitter

- F1** ..... Output reduction in 1/10 f-stops (flash output and modeling light options)
- F2** ..... Output increase in 1/10 f-stops (flash output)
- F3** ..... Fixing nut for mounting on hot shoe (Hot Shoe)
- F4** ..... Test flash trigger
- F5** ..... Channel selection switch
- F6** ..... Mounting eye/locking screw for battery compartment
- F7** ..... Socket for sync cable 2.5mm

### Setting transmitter

- Mounting transmitter** The transmitter does not have an ON switch. It is ready when connected to the camera via the hot shoe or a sync cable.
- Attach the transmitter to the hot shoe of the camera and secure it with the fixing nut **F3**.
  - or -
  - Depending on camera type, mount the transmitter to a flash rail and connect the transmitter socket **F7** to the camera via the included sync cable.
- Setting channel** Transmitter and receiver can be synchronized via three different channels. Up to three different work stations can be controlled separately. Additionally, the transmitter can also control all receivers together.
- The setting is done with the channel selection switch **F5**.

➤ Set the channel selection switch **F5** to channel 1, 2 or 3 for synchronizing individual channels

- or -

➤ Select the switch position **ALL** when all channels are to be controlled.

## Setting receiver

The key **RC/CH 17** on the flash head is used to activate the radio receiver and to set the channel.

Switching radio receiver on/off

➤ Briefly press the **RC/CH** key **17** to switch on the radio mode. The display **19** shows „C1“ for channel 1 of Strobe Wizard Plus. The LED above the key lights up green.

Selecting radio channel

➤ Press the key **RC/CH 17** for ca. 2s to switch the channels of the radio receiver. The display **19** is blinking. The control keys ◀, ◀◀ **16** and ▶▶, ▶ **11** allow you to switch between the channels.

After the channel „C1“ come the channels „C2“ and „C3“ of Strobe Wizard Plus, directly behind them the channels „F1“, „F2“ and „F3“ of the freemask receiver.

Approximately 3s after a key was last pressed, the channel is saved and the display **19** stops blinking.

## Output adjustment

The flash output is adjusted in steps of 0.1 f-stops with the two control keys ▼ **F1** and ▲ **F2** on the generator

➤ Briefly press ▼ to reduce the output

➤ Briefly press ▲ to increase the output

The generator's LED display shows the selected output values.

## Switching the modeling light

Pressing the ▼ **F1** key longer ( $< 1$  s) turns on the modeling light of the connected flash head. Depending on the connected flash head and the mode of operation (battery or AC Porty mains drawer), the modeling light can be set to OFF – FULL – PROP – OFF.



---

**Note:**

*The flash head's modeling light can only be set to automatic switch off mode (limited to 30 s). The modeling light turns off after the flash is triggered.*

---

## 10 Operation with freemask

The transmitter „**freemask**“ has all the functions of the **Strobe Wizard Plus** and is operated the same way.

Additionally, the transmitter is used for the freemask method. „freemask“ is a photographic method to produce digital clipping masks. For this method, the camera takes two exposures in sequence. Exposure values and camera position remain unchanged for both exposures. The **freemask** transmitter controls the two flash groups used for both exposures:

- The flash group for the actual motif to be photographed
- Flash group for the backlighting-like background lighting (mask lighting)

A mask layer is easily created with the help of image editing and thus the motif can be extracted.

The Porty L has three other „F“ channels besides the standard „C“ channels for this.

- The flash units for lighting the motif are assigned to the „C“ channels.
- The flash units for the lighting background to be masked are assigned to the „F“ channels.

When selecting channels, (see „Setting receiver“ on page 35), the **freemask** receiver channels „F1“, „F2“ and „F3“ come after the **Strobe Wizard** channels „C1“, „C2“ and „C3“.

Make sure that the channels are assigned accordingly, e.g. C1/F1, C2/F2 or C3/F3.

### Settings for freemask method

#### Settings for one work station

freemask transmitter	Set the channel selector switch <b>F6</b> on the chosen channel.
Motif lighting	➤ Set all flash units for the motif lighting on „C“ channels (C1, C2, C3).
Mask lighting	➤ Set the <b>Porty L</b> for lighting the mask on „F“ channels (F1, F2, F3).



**Note:**

*In this case, the slave of the **Porty L** needs to be switched off with the **SLAVE** key **14** to prevent triggering the first group of flashes. All other slaves can be switched on.*

- Camera
- Set the camera on fastest possible continuous shooting speed.
  - Set the number of exposures to „2“.

This guarantees the highest exposure frequency setting with two consecutive exposures (depending on camera).

The transmitter will trigger the flash group needed for lighting the motif (C1, C2, and C3) and then trigger the flash group needed for lighting the mask (F1, F2 und F3).

Currently, all cameras support exposure series speeds from 3 pictures per second to (in theory) 500 exposures per second.

### Settings for several work stations

If several separate work stations (up to 3) exist within a radio range, each work station must have a channel assigned to it.

- Set the channel selection switch **F6** on **1**, **2**, or **3**.
- Assign the same „C“ channel to lighting the motif.
- Assign the same “F” channel to lighting the mask.

**Example:**

station 1:	transmitter channel 1	motif C1	mask F1
station 2:	transmitter channel 2	motif C2	mask F2
station 3:	transmitter channel 3	motif C3	mask F3

# 11 Operation with Profoto Air

The Porty L battery flash generator is equipped with a built-in radio receiver for Profoto Air radio remote controls. The Profoto Air system is available in two versions:

- Profoto Air Sync** This unit allows you to trigger individual flash units via 8 channels.
- Profoto Air Remote** This unit allows you to synchronize, adjust flash output, and remotely control the modeling light.
- Furthermore, the Profoto Air units have additional options which can be used to control flash units and cameras without integrated Profoto Air receiver.




---

## Note:

*Inform yourself about the many functions and further operation of the Profoto Air units by reading the respective user manuals.*

---

## Basic functions

- Channels** Profoto Air Sync/Remote units transmit via 8 different channels. Work at 8 different stations is possible without interfering with each other.
- Groups** Additionally, the Profoto Air Remote and the **Porty L** include the option of assigning the units to be triggered to up to 6 groups and then control these jointly.
- All flash units assigned to the same group are controlled together.
  - The flash heads of the flash channels A and B of the **Porty L** can be assigned to different groups.
  - The flash heads of several generators can be assigned to one group, e.g. all lamps of one light bank.
  - In master mode, all flash heads assigned to the same channel can be controlled regardless of their group assignment.

## Summary of control elements

- P1** ..... Channel selection key **CHANNEL**
- P2** ..... Mode transmitter/receiver **MODE**
- P3** ..... Test flash flash/camera **TEST**
- P4** ..... ON/OFF key **ON**
- P5** ..... Flash output increase **ENERGY +**
- P6** ..... Flash output reduction **ENERGY -**
- P7** ..... Group selection key **Group**
- P8** ..... Modeling light ON **I**
- P9** ..... Modeling light OFF **O**
- P10** ... Select all groups **MASTER**
- P11** ... Synchronization socket flash **OUT**
- P12** ... Synchronization socket camera **IN**
- P13** ... Flash head OFF **O**
- P14** ... Flash head ON **I**

## Preparing transmitter

### Mounting transmitter

The transmitter has a hot shoe adapter. The camera is synchronized via this or a separate cable.

☞ Attach the transmitter to the camera's hot shoe.

- or -

☞ Connect the transmitter's socket **IN P12** to the camera with the included sync cable.

## Switching transmitter on/off

☞ Switch the transmitter on by pressing the **ON** key **P4**.  
The LEDs are blinking and show the current settings.

☞ Press the **ON** key **P4** again to turn the transmitter off.

The transmitter turns off automatically after 30 minutes of inactivity.

## Transmitter/receiver mode

Profoto Air Sync/Remote units can either be used as a transmitter or as a receiver.

- Press the **MODE** key **P2** until the LED **TRANSMIT** lights up.  
This sets up the unit as a transmitter.

- or -

- Press the **MODE** key **P2** until the LED **RECEIVE** lights up.  
This sets up the unit as a receiver.

## Remote trigger

**Channels** The transmitter has 8 different channels for synchronizing flash heads. The **Porty L** has 8 Profoto Air channels. This lets you control up to 8 work stations separately.

### Channel setting

All units that are supposed to work together need to be set on the same channel.

**Transmitter** The setting is done with the channel selection key **P1**.

- Press the channel selection key **P1** until the desired channel 1-8 is indicated on the LED bar.

**Porty L** The Profoto Air channels of **Porty L** are designated with P1 - P8 and are shown on the left display **19**.

- Briefly press the **RC/CH** key **17** several times until a „P“ channel is shown.  
The LED above the key lights up orange.
- Press the **RC/CH** key **17** for ca. 2s to change the channels of the radio receiver.  
The display is blinking. Now the channels can be changed with the selection keys ◀◀**16** and ▶▶**11**.

## Setting group (only Profoto Air Remote)

The group setting lets you combine individual flash heads. This lets you jointly control the settings of the flash heads contained in this group. Triggering of the flash heads is done via the channel assignment.

Additionally, the transmitter can control all groups together (master mode).

- Transmitter** The setting is done with the group selection key **P7**.
- Press the group selection key **P7** until the desired group is shown in the LED bar.
  - or -
  - Press the **MASTER** key **P10** to select all groups. The complete LED bar lights up and **all** flash heads with the same channel are controlled regardless of group assignment.

- Porty L** The two flash channels A and B of the **Porty L** with their connected flash heads can be individually assigned to a group. The selected group (letter A-F) is shown on the display **13**.
- The first digit of the display **13** shows the group of flash channel A.
  - The second digit of the display **13** shows the group of flash channel B.

*How to change the flash channel's group assignment:*

- Press the **RC/CH 17** key for ca. 2s. The display is blinking.
- Switch on the group for the flash channel A with the control key **◀16** and the group for the flash channel B with the control key **▶11**.

After 5s the display switches back and shows the set output.

## Checking channel/group assignment

- Press the **RC/CH** key **17** for ca. 2s. Both displays **13** and **19** are blinking.

The selected channel is displayed in the left display **19**, the selected groups for both flash channels are displayed in the right **13**.

## Remote control

### Setting power output

The keys + **P5** and – **P6** are used for adjusting the flash output **ENERGY** on the generator. Briefly pressing the key adjusts the power in steps of 0.1 f-stops, pressing the key longer (> 2 s) adjusts the power in full f-stop steps.

- Press + **P5** to increase the power
- Press - **P6** to decrease the power

The generator's LED display shows the set output values.

### Flash head on/off

The flash heads **HEAD** of the controlled flash units can be switched on and off on the generator with the two keys **P13** and **P14**.

- Press the **P13** key to switch off the flash heads assigned to the group.
- Press the **P14** key to switch on the flash heads assigned to the group.

### Setting the modeling light

The controlled flash heads' modeling lights **MODEL** can be switched on and off on the generator via the keys **P8** and **P9**.

- Press **P8** to switch off the modeling light.
- Press **P9** to switch on the modeling light.




---

#### Note:

*The generator's modeling light can only be set to automatic switch off mode (limited to 30 s).  
The modeling light turns off after the flash is triggered.*

---

## 12 Maintenance



---

**ATTENTION!**

*The battery flash generator must be switched off and disconnected from the power supply (when operated with AC mains drawer) before doing any maintenance work to it.*

---

The battery flash generator requires little maintenance by the operator.

To guarantee the electrical safety, the outside of the unit must be cleaned regularly from dust and dirt.

---

**Note:**

Only clean the unit dry!

---

### Regular maintenance

National safety regulations require the maintenance and inspection of any electrical system and equipment in regular intervals. Compact flash units, generators, and accessories must be inspected at regular intervals to ensure operational safety. An annual inspection of such devices ensures the user's safety and retains equipment value.

### Replacing fuse



---

**ATTENTION!**

*Fuses must not be „patched up“ or otherwise bypassed. Only use spare fuses that match the below listed value and have the response rating „medium“.*

*The battery flash generator must be switched off and disconnected from the power supply before replacing the fuse. The battery must be removed from the generator.*

---

The flash lamp connectors of the battery flash generator and the mains drawer are protected against short circuit by a 10 AM safety fuse. Only use fuses with „large switching capacity“ according to EN 60127-2/1 or IEC 127-2/1.

How to replace a fuse:

- Open the safety mount **5**, **33** with a screw driver and pull it out.
- Replace the defective fuse with a new one of the type listed on the previous page.



**Note:**

The handle **7** of the battery flash generator contains two spare fuses **6**.

Replace spare fuses immediately after removal.

## Error messages

In case of an error, an error code is displayed in display **13**. The numbers mean the following:

No.	Error	Description
E1	Charging error	maximum charge time was exceeded
E2	Discharge error	maximum discharge time was exceeded
E3	Overload error	
E4	No flash	error disappears after a short period. Re-start unit
E5	Temperature error	

## Warranty

The warranty period for battery flash generators depends on the country of delivery.

You can obtain information pertaining to warranty periods on the Internet pages of the distributing companies.

Normal usage, meeting the safety requirements in the instruction manual, and adhering to the information therein are prerequisites for this warranty. Unauthorized manipulation and tampering with the unit void any warranty claim.

Flash tubes, modeling lamps, protective glass covers, and defective cables which are caused by improper handling are excluded from the warranty.

The warranty includes replacement of faulty parts and the time required for installation by a qualified technician.



---

### Note:

*You may send the unit free of charge to one of the customer service points, see „13 Customer service points“ on page 47. Please include a short description of the defect.*

---



## Disposal

The packing material of the generator needs to be sorted and recycled as necessary. Retired and defective electronic equipment must be recycled in accordance with regulation.



## 13 Customer service points

### **Manufacturer's service**

If required, with 24-hour express service:

HENSEL-VISIT International GmbH  
Robert-Bunsen-Str. 3  
97076 Würzburg  
Tel. +49 931 27881-0  
Fax: +49 931 27881-50  
E-Mail: [info@hensel.de](mailto:info@hensel.de)

### **Service points listed in the Internet**

Additional national and international service and distribution addresses can be found on the web page of Hensel-Visit International:

**[www.hensel.de](http://www.hensel.de)**

## 14 Accessories

### Porty L

Battery pack	code no.: 1499
AC Porty mains drawer	code no.: 4965
Porty bag (soft bag)	code no.: 4208

### Flash heads

EH Pro Mini 1200 P	code no.: 3604
EH Pro Mini	code no.: 3605
EH Pro Mini 1200 P Speed	code no.: 3607
EH Pro Mini Speed	code no.: 3606
Ring flash RF 3000P/PM-XS	code no.: 3410
F-Spot 3000 round plug	code no.: 3391

### Radio transmitter/receiver

Strobe Wizard Plus transmitter	code no.: 3950
freemask transmitter	code no.: 3955
Profoto / Hensel Air Sync	code no.: 3965
Profoto / Hensel Air Remote	code no.: 3966
Profoto / Hensel Air USB	code no.: 3967

### Additional accessories

Safety rope	code no.: 769
Generator support	code no.: 227
Sync cable, different lengths.	

# 15 Subject index

## A

APD 32

## C

Charger 11, 19

Charge capacity 20

Customer service 47

## D

Daily flash counter 33

## E

Error messages 45

## F

Flash readiness indicator 32

Flash channel 30

Flash heads 35, 36, 39, 43, 48

Flash tube 10

Fuses 22, 44, 45

freemask 28, 35, 37, 48

## G

Generator support 16, 48

Group 37, 39, 42

## L

Lithium battery 11

## M

Mains adapter drawer 22, 36, 44, 48

Mains operation 12, 22, 25

Mains voltage 8

Modeling light 10, 12, 14, 23, 29, 36

Moisture 15, 17

## O

Output setting 43

## P

Photo cell 14, 26, 27

Profoto Air 28, 39

## R

Remote trigger 41

## S

Scope of delivery 11

Set-up 8, 15

Strobe Wizard Plus 26, 28, 34, 48

Synchronization 26, 40

## W

Warranty 46

# 16 Declaration of Conformity

## for Radio and Telecommunication Terminal Equipment, Electromagnetic Compatibility and Safety

Manufacturer: HENSEL Studioteknik GmbH & Co.KG  
Robert-Bunsen-Str. 3  
97076 Würzburg  
Germany

Owner of Certification: HENSEL Studioteknik GmbH & Co.KG  
Robert-Bunsen-Str. 3  
97076 Würzburg  
Germany

Label1 of August 6, 2010

Product: **PORTY 6 Lithium, PORTY 12 Lithium,  
Porty L 600, Porty L 1200**

Description: **Radio and Telecommunication Terminal Equipment**

Standards: EN 300220-2 V 2.1.2

This declaration of conformity is made by the above mentioned manufacturer according to article 3, of the governing EU- directives R&TTE1999/5/EC referring to Radio and Telecommunication Terminal Equipment for bringing the statutory instruments of the Member States into lines with each other. This declaration does not make any statement according to requirements of other provisions concerning the electromagnetic compatibility and safety.

Description: **Emission and Interference Resistance**

Standards: EN 301489-1 V 1.8.1  
EN 301489-3 V 1.4.1

This declaration of conformity is made by the above mentioned manufacturer according to article 10, paragraph 1, of the governing EU- directives 2004/108/EC referring to electromagnetic compatibility and safety for bringing the statutory instruments of the Member States into lines with each other. This declaration does not make any statement according to requirements of other provisions concerning the electromagnetic compatibility and safety.

Description: **Low Voltage Directive**

Standards: EN 60065:2002+A1:2006+Cor.:2007+A11:2008  
EN 60598-1:2008+A11:2009  
EN 60598-2-9:1989+A1:1994  
EN 50371:2002

This declaration of conformity is made by the above mentioned manufacturer according to article 10, paragraph 1, of the Governing EU- directives 2006/95/EC referring to electrical items for usage within specified voltage limits.

This declaration of conformity is the result of testing samples of the products submitted, in accordance with the provisions of the relevant specific standards.

Date: August 6, 2010

Manufacturer



E. Stumpf  
- Managing Director -

HENSEL Studioteknik GmbH & Co.KG

# HENSEL

performing light



[WWW.HENSEL.DE](http://WWW.HENSEL.DE)